
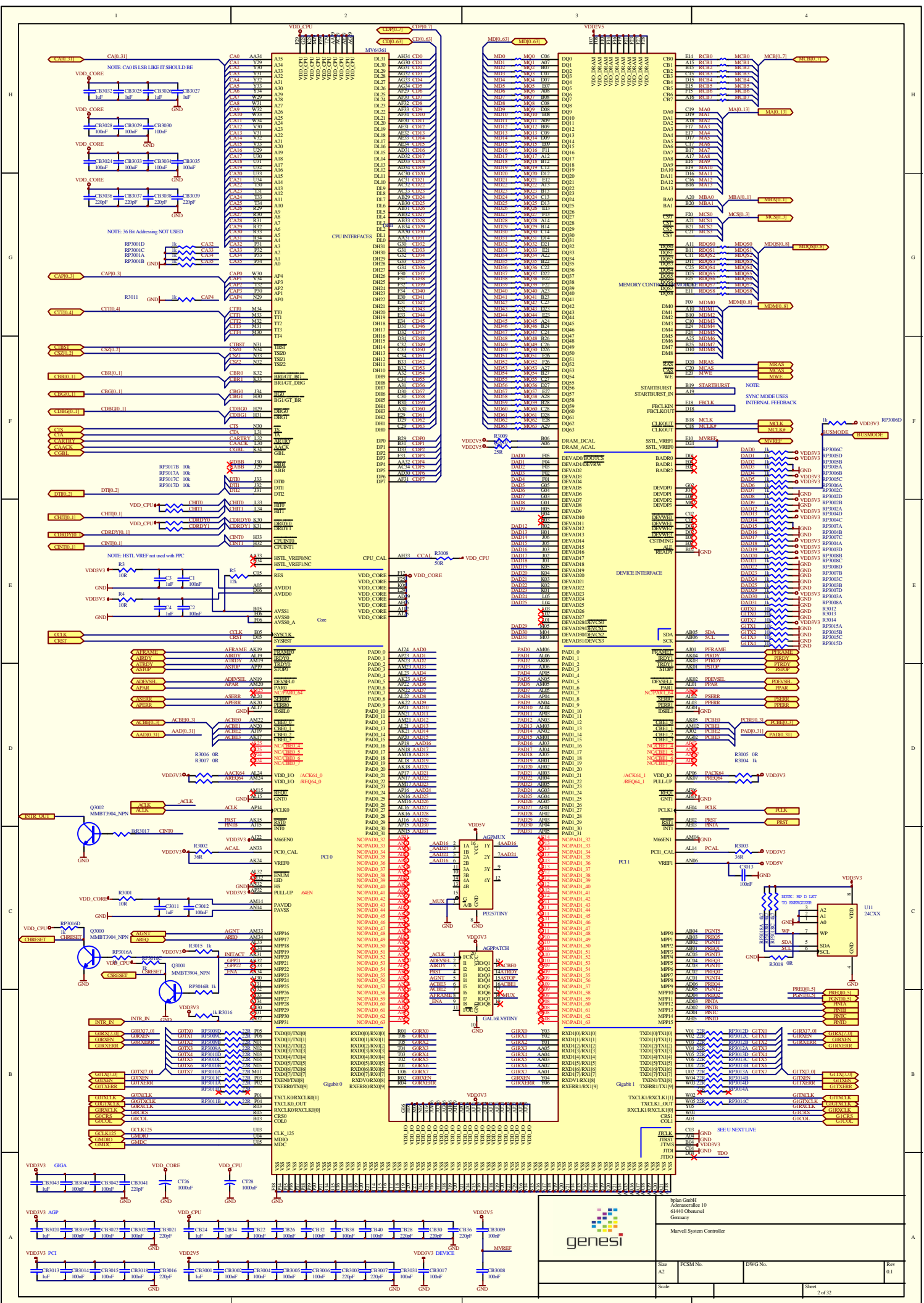



PLEASE USE SUBSHEET ENTRIES/ LOGO TO NAVIGATE

	biplan GmbH Adenauerallee 10 61440 Oberursel Germany		
	Top Level Pegazos		
Size A3	FCSM No.	DWG No.	Rev
Scale	Sheet		1 of 32

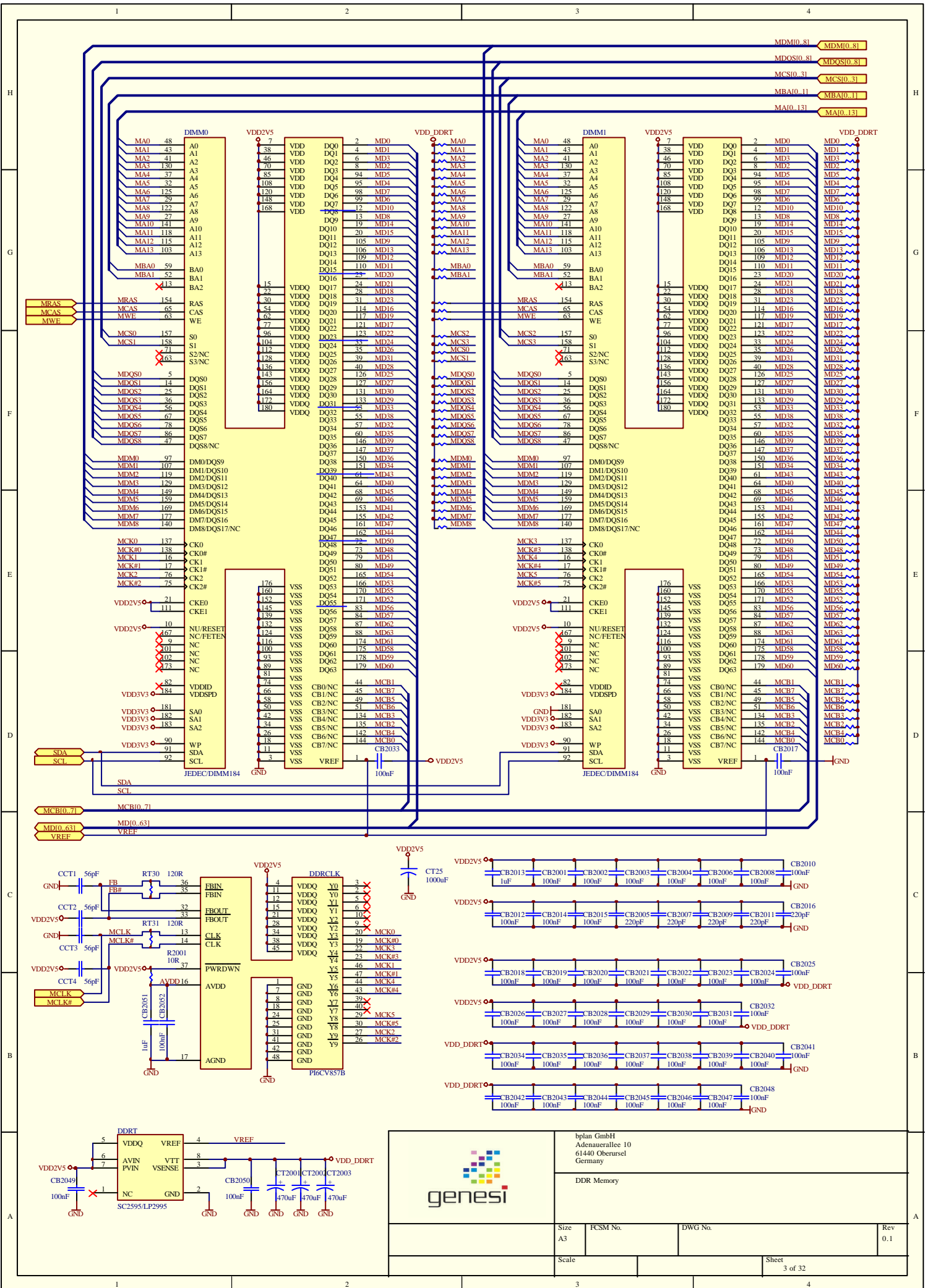



 Iplan GmbH
 Adenaustraße 10
 61440 Obertiefen
 Germany

Marvell System Controller

Size	FCSM No.	DWG No.	Rev
A2			0.1

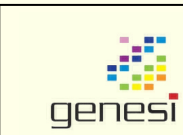
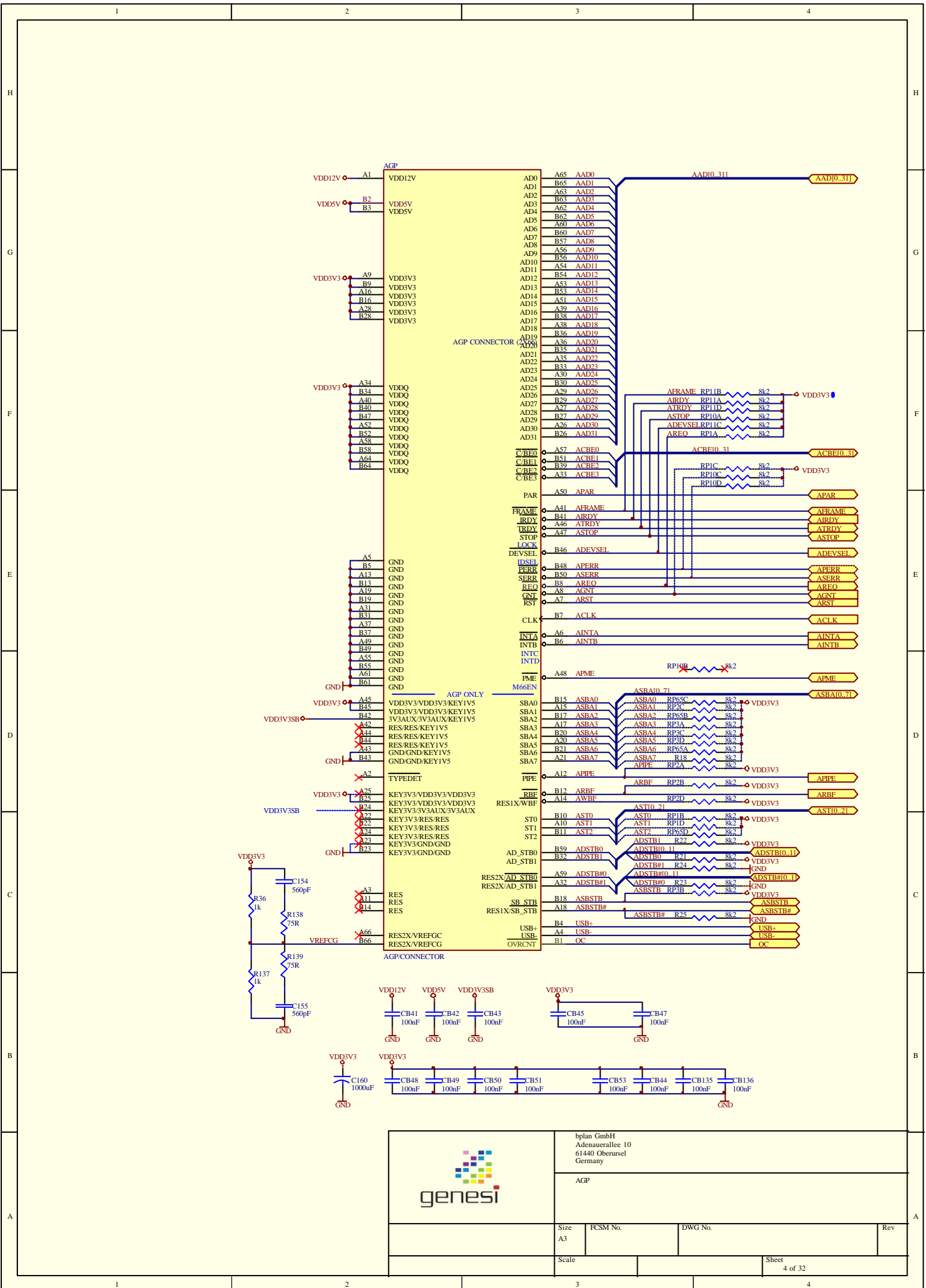
Scale: _____
 Sheet: 2 of 32



bplan GmbH
Adenauerallee 10
61440 Oberursel
Germany

DDR Memory

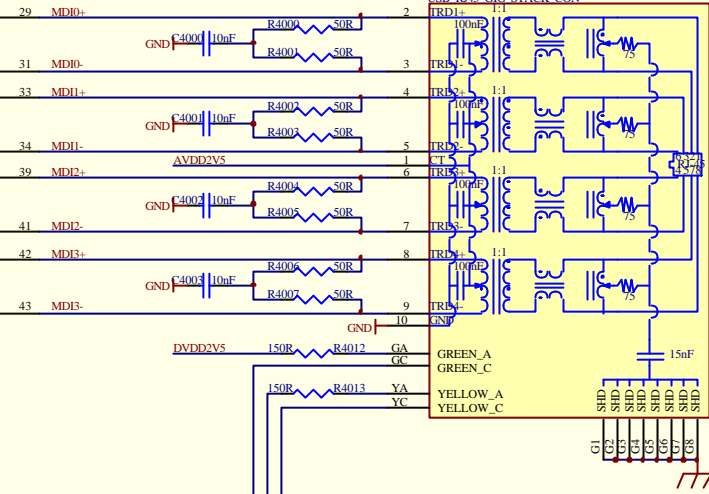
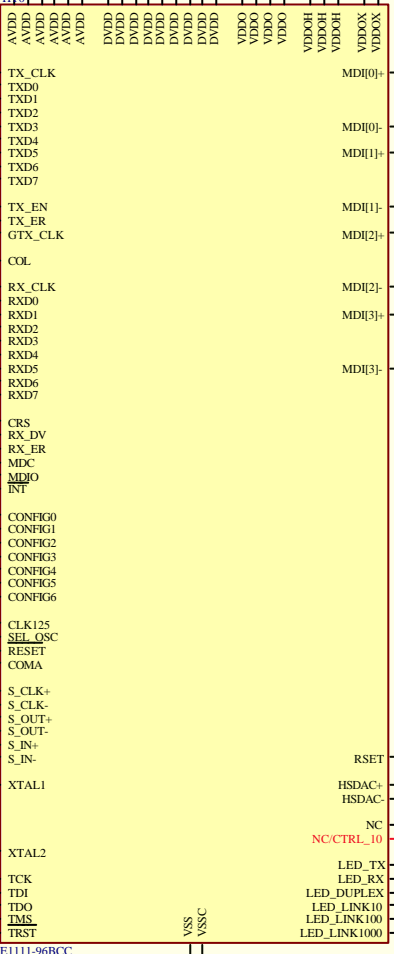
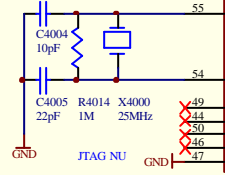
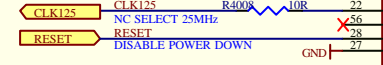
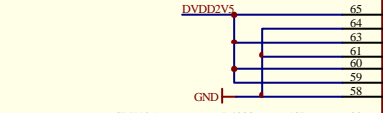
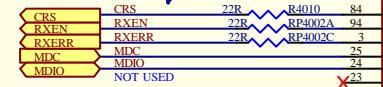
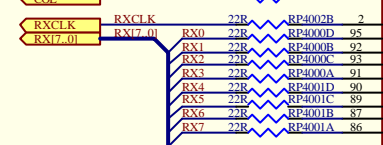
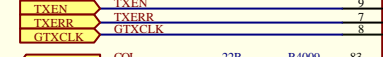
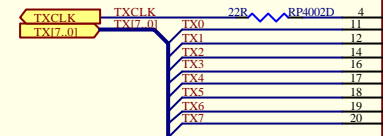
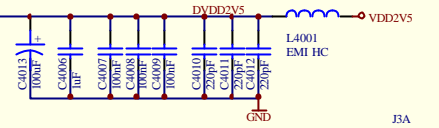
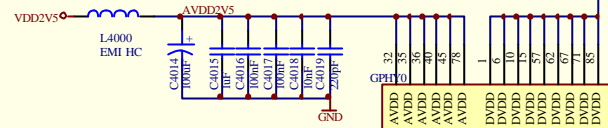
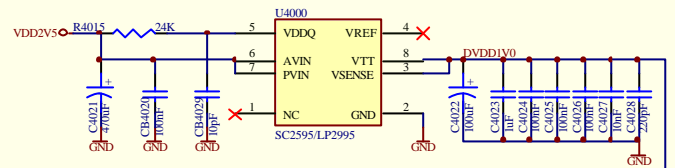
Size	A3	FCSM No.		DWG No.		Rev	0.1
Scale						Sheet	3 of 32



bplan GmbH
Adenauerallee 10
61440 Oberursel
Germany

AGP

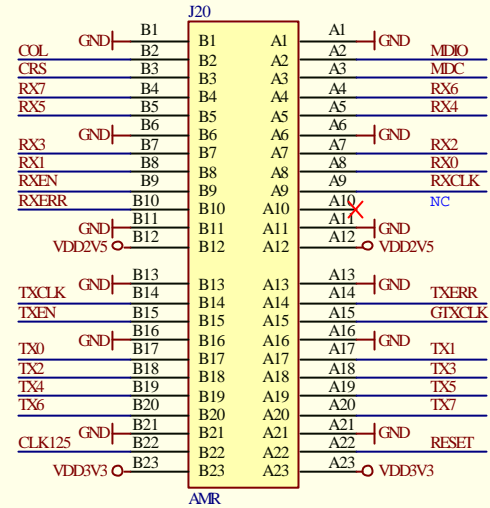
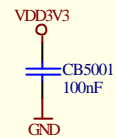
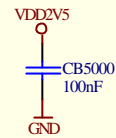
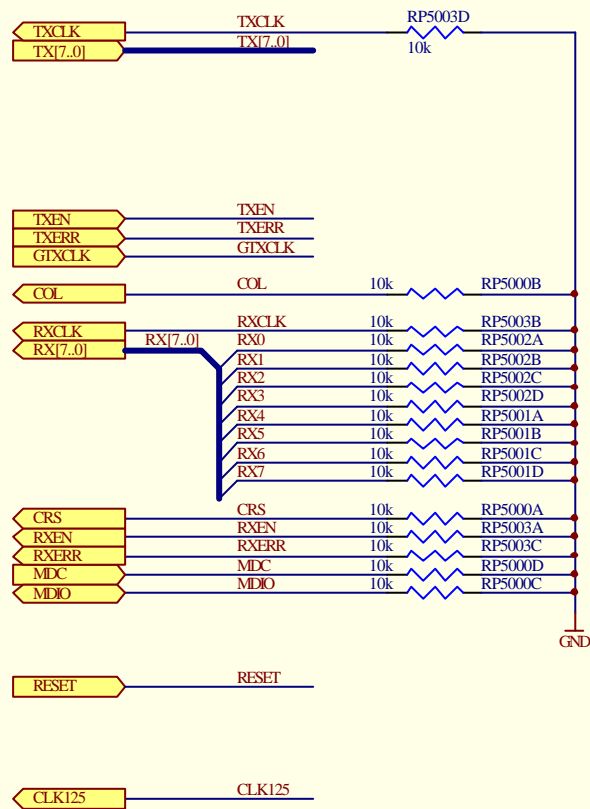
Size	A3	FCSM No.		DWG No.		Rev	
Scale						Sheet	4 of 32



bplan GmbH
Adenauerallee 10
61440 Oberursel
Germany

Giga Phy

Size A3	FCSM No.	DWG No.	Rev 1
Scale	Sheet		5 of 32



bplan GmbH
Adenauerallee 10
61440 Oberursel
Germany

Giga Phy

Size
A4

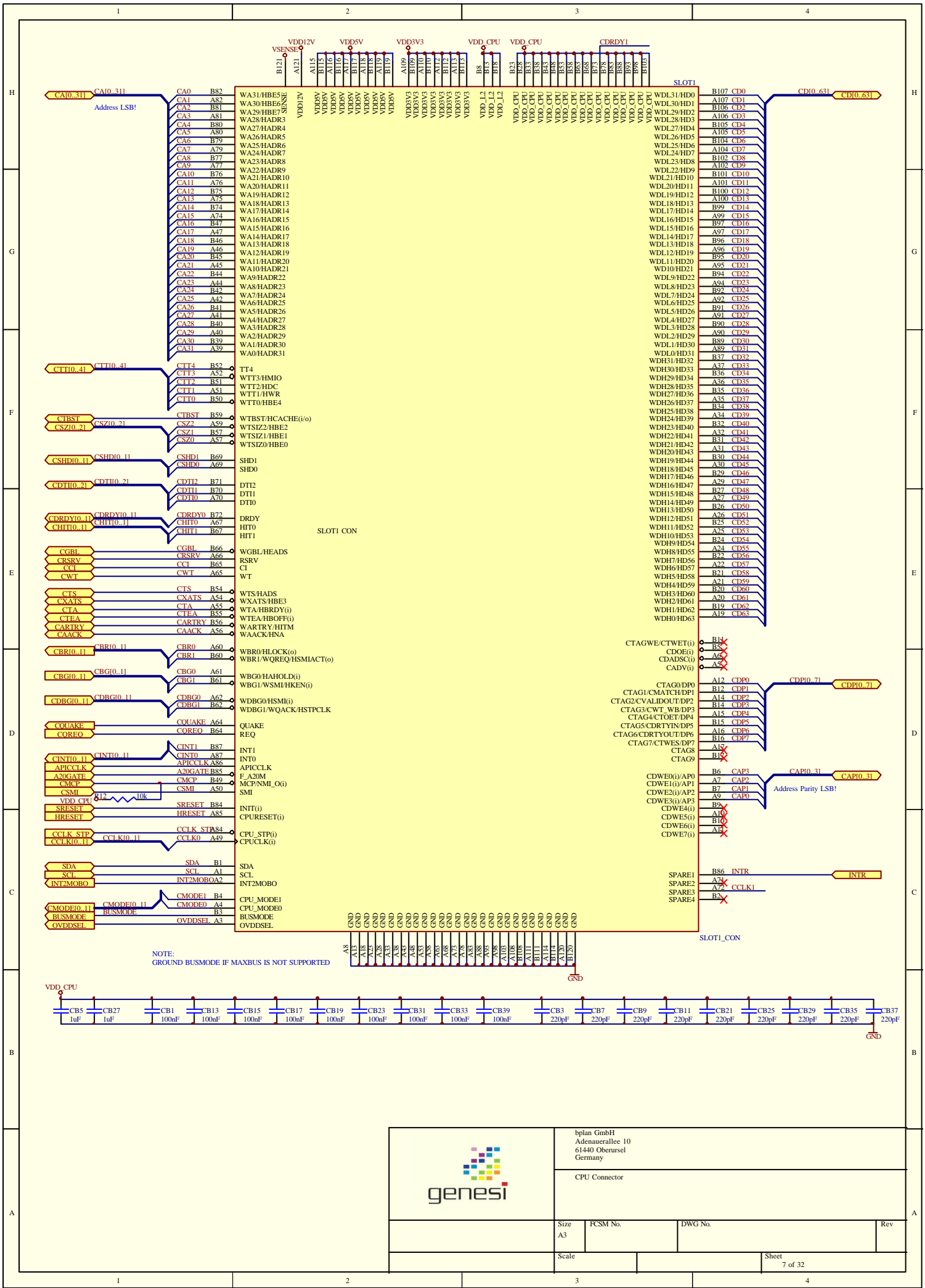
FCSM No.

DWG No.

Rev
1

Scale

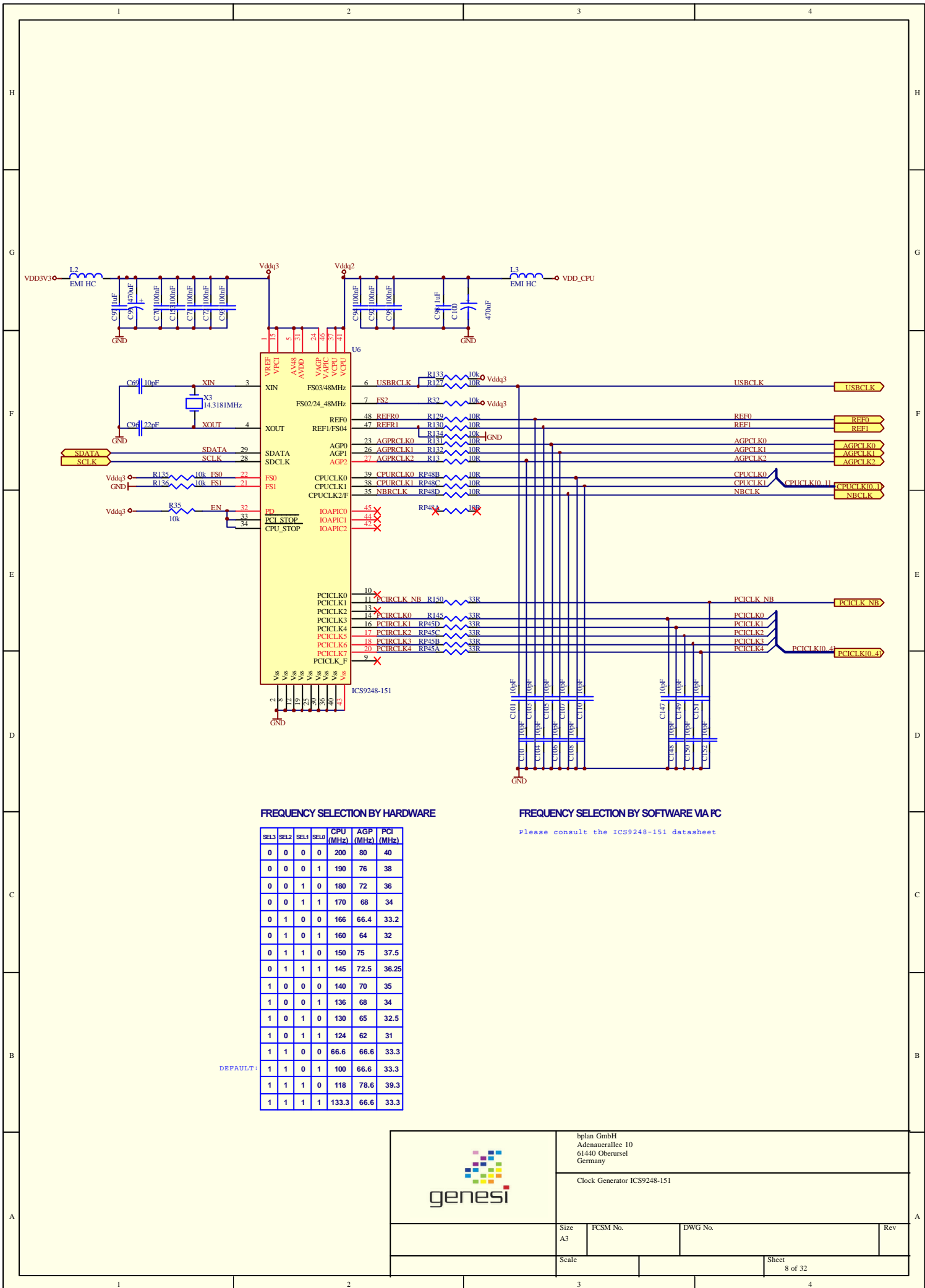
Sheet
6 of 32



bplan GmbH
Adenauerallee 10
61440 Oberursel
Germany

CPU Connector

Size	A3	FCSM No.		DWG No.		Rev	
Scale						Sheet	7 of 32



FREQUENCY SELECTION BY HARDWARE

SEL3	SEL2	SEL1	SEL0	CPU (MHz)	AGP (MHz)	PCI (MHz)
0	0	0	0	200	80	40
0	0	0	1	190	76	38
0	0	1	0	180	72	36
0	0	1	1	170	68	34
0	1	0	0	166	66.4	33.2
0	1	0	1	160	64	32
0	1	1	0	150	75	37.5
0	1	1	1	145	72.5	36.25
1	0	0	0	140	70	35
1	0	0	1	136	68	34
1	0	1	0	130	65	32.5
1	0	1	1	124	62	31
1	1	0	0	66.6	66.6	33.3
1	1	0	1	100	66.6	33.3
1	1	1	0	118	78.6	39.3
1	1	1	1	133.3	66.6	33.3

DEFAULT :

FREQUENCY SELECTION BY SOFTWARE VIA PC

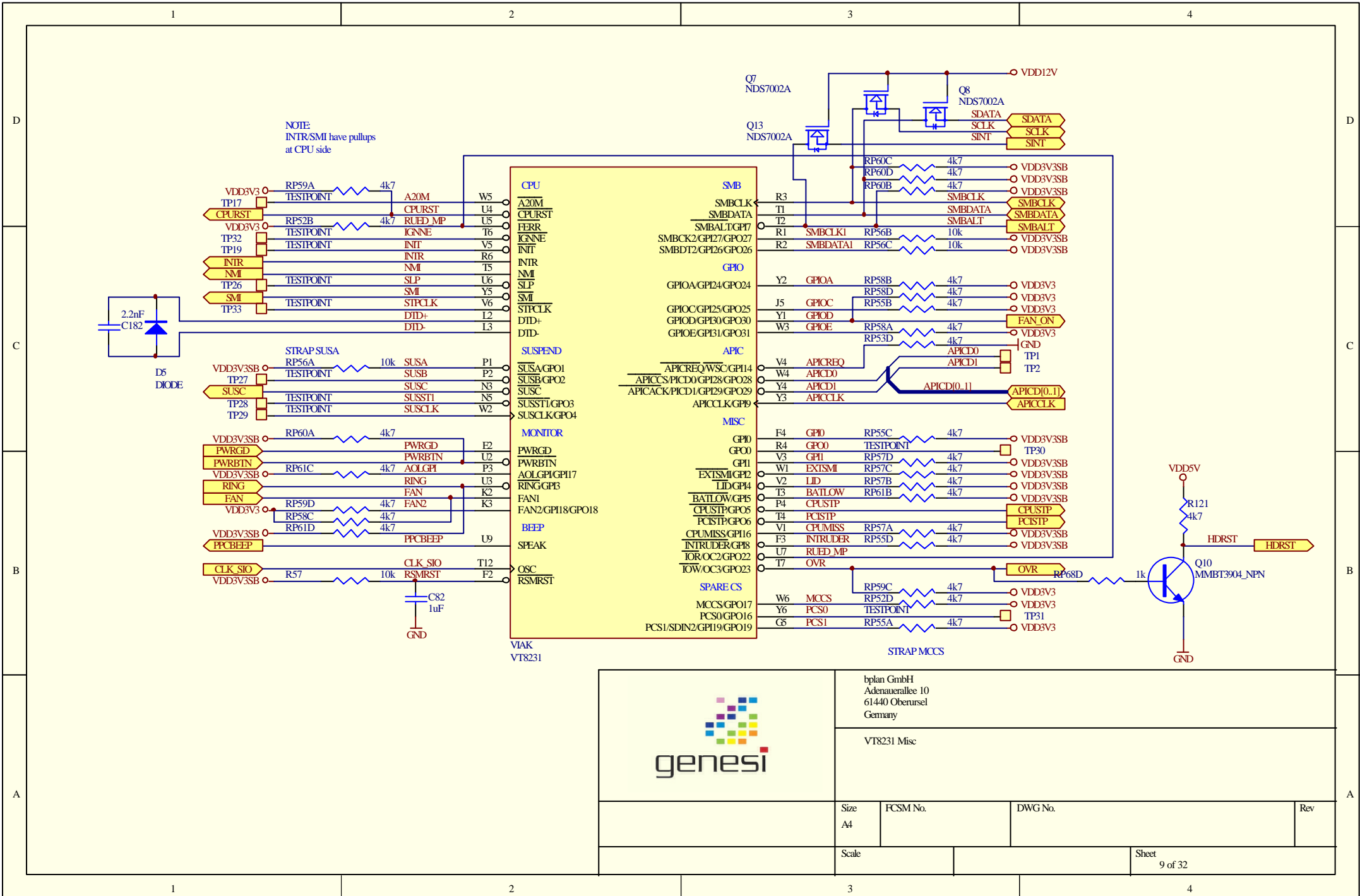
Please consult the ICS9248-151 datasheet



bplan GmbH
Adenauerallee 10
61440 Oberursel
Germany

Clock Generator ICS9248-151

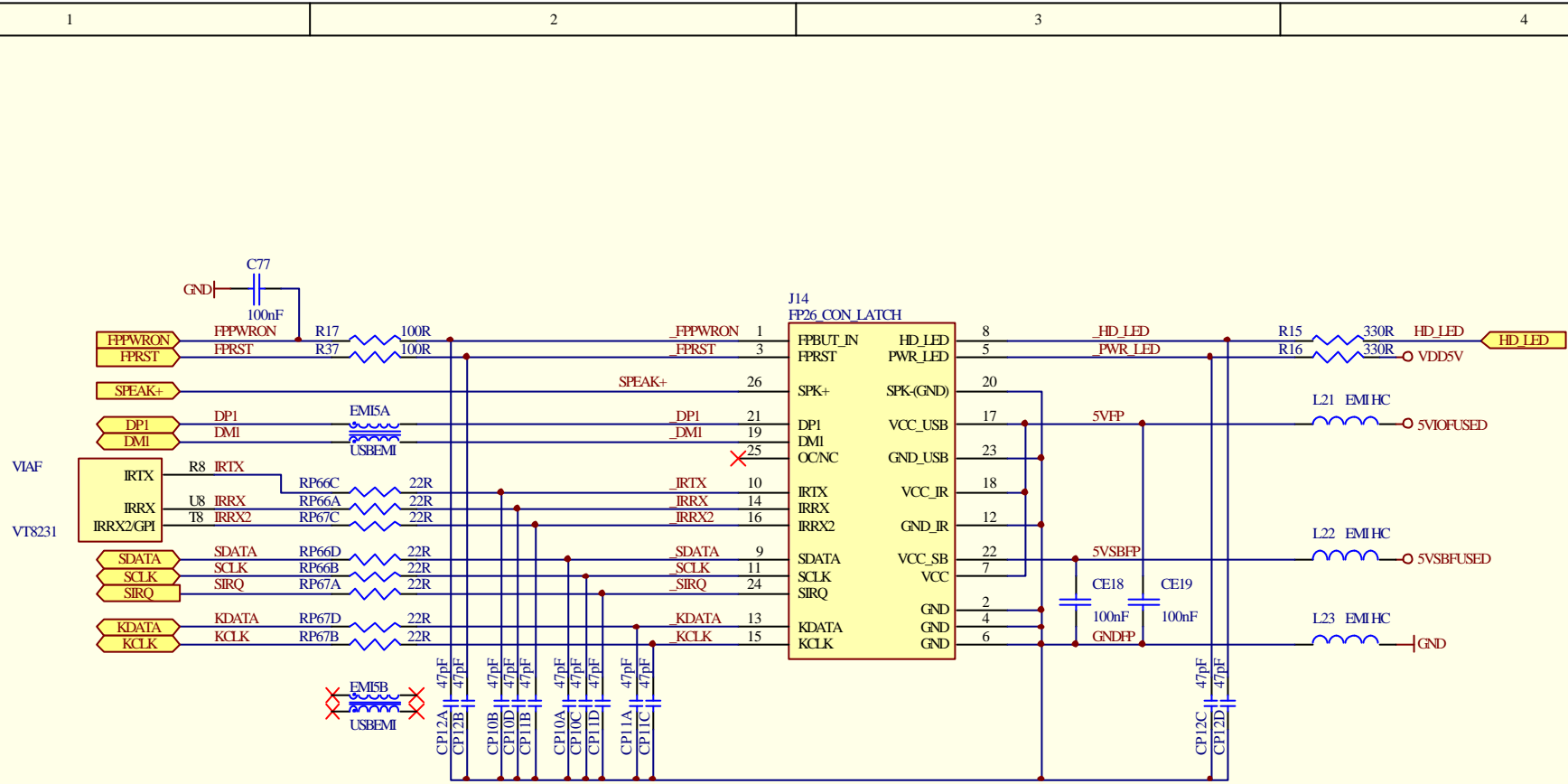
Size A3	FCSM No.	DWG No.	Rev
Scale	Sheet		8 of 32



bplan GmbH
Adenauerallee 10
61440 Oberursel
Germany

VT8231 Misc

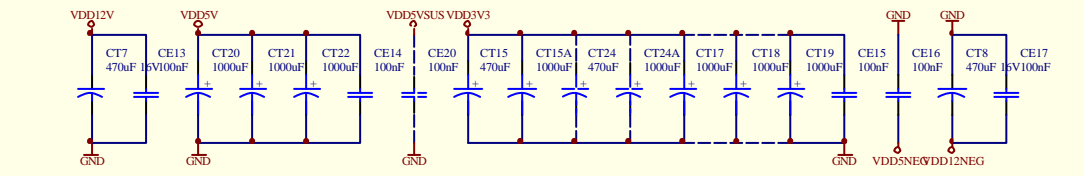
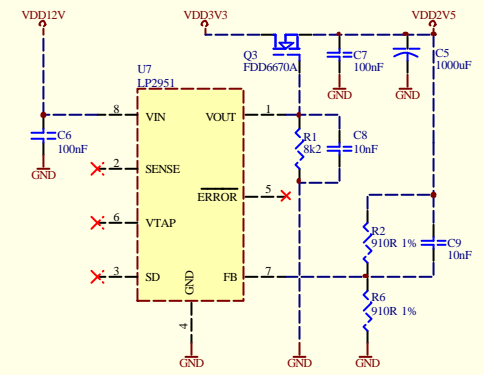
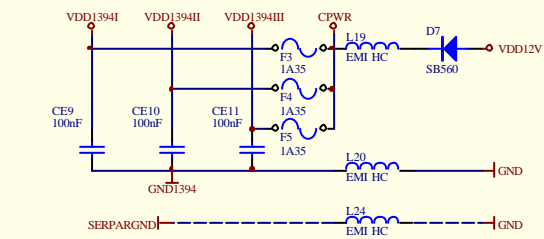
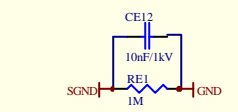
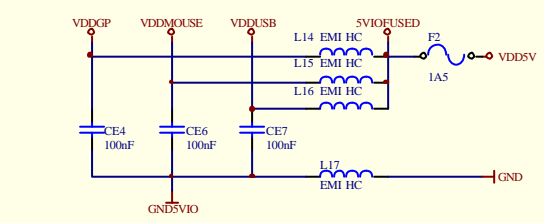
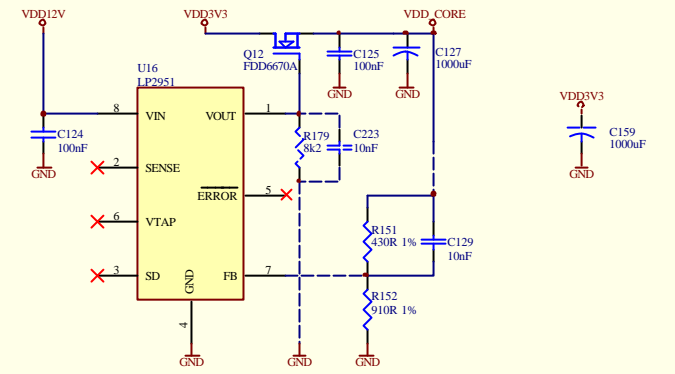
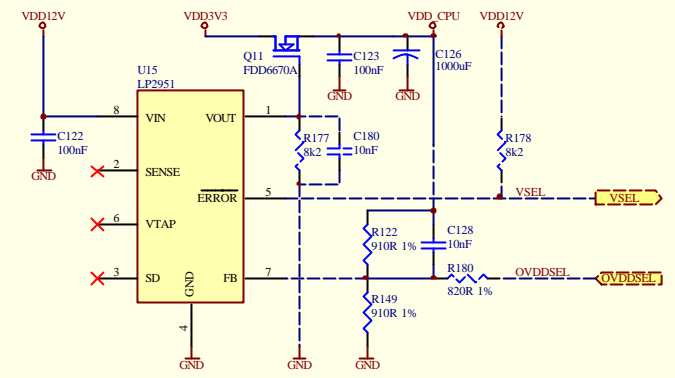
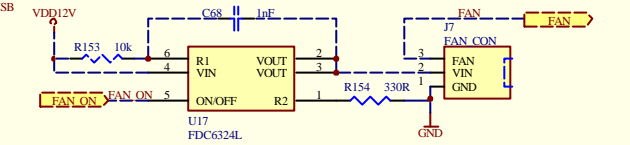
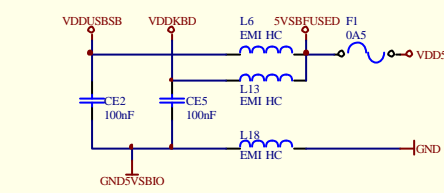
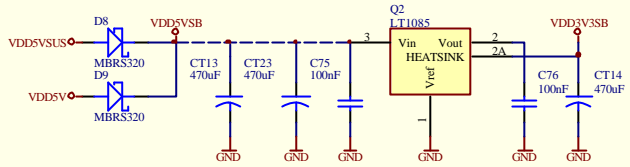
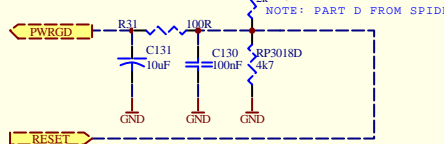
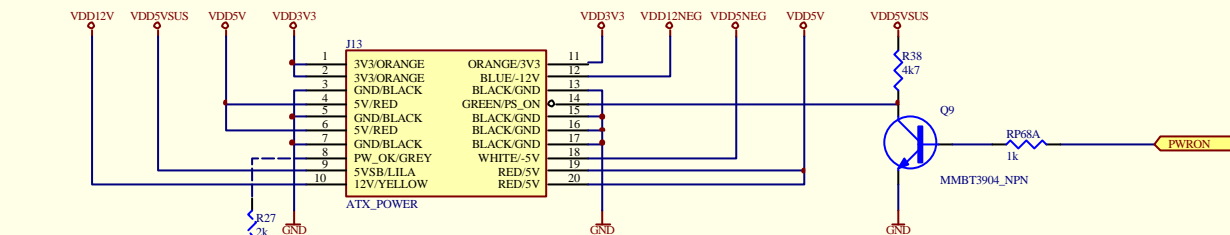
Size A4	FCSM No.	DWG No.	Rev
Scale		Sheet 9 of 32	



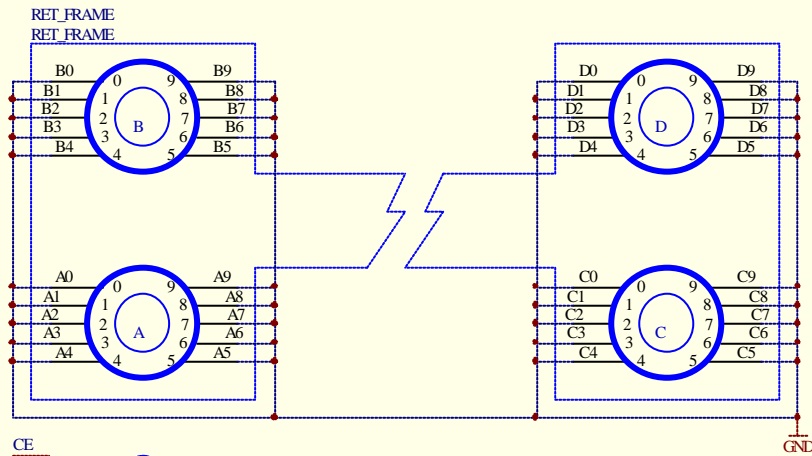
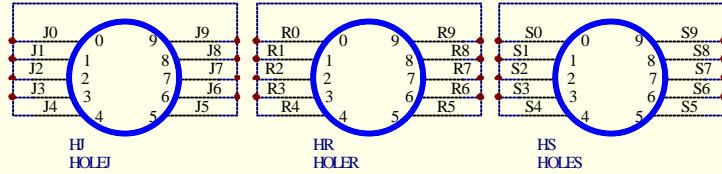
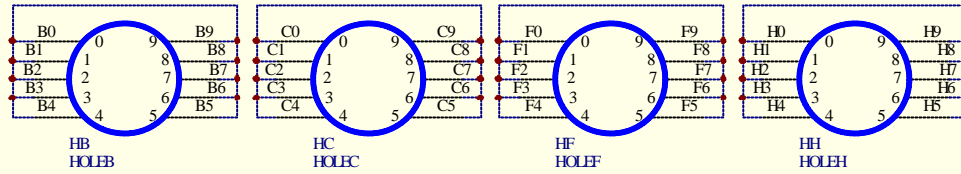
bplan GmbH
Adenauerallee 10
61440 Oberursel
Germany

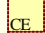

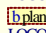




Front Panel I/O

Size A4	FCSM No.	DWG No.	Rev
Scale	Sheet 10 of 32		



	bplan GmbH Adenauerallee 10 61440 Oberursel Germany		
	ATX Power Connector		
Size A3	FCSM No.	DWG No.	Rev
Scale	Sheet		11 of 32



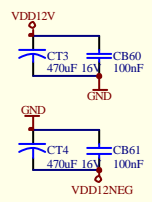
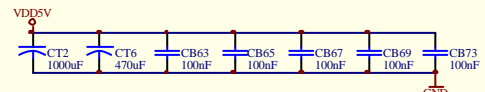
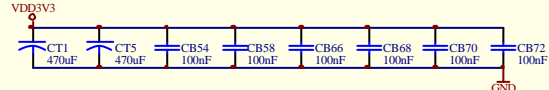
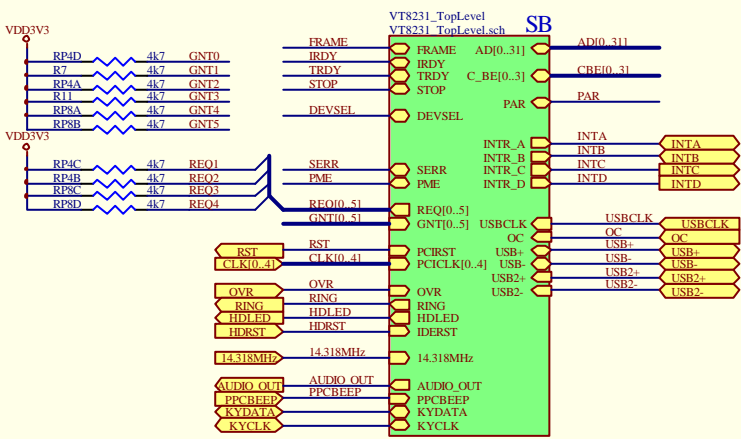
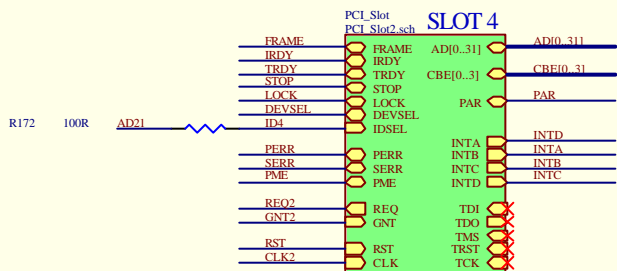
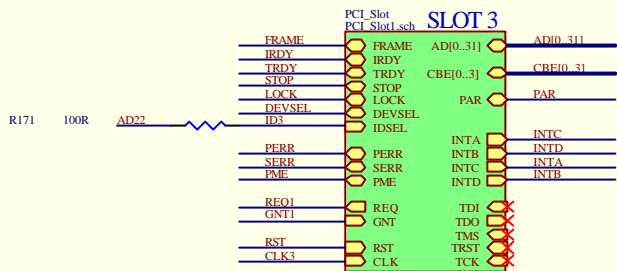
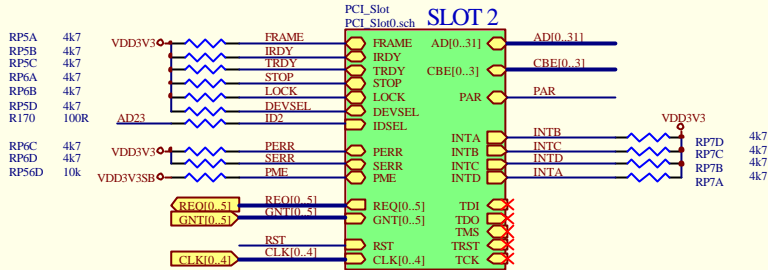
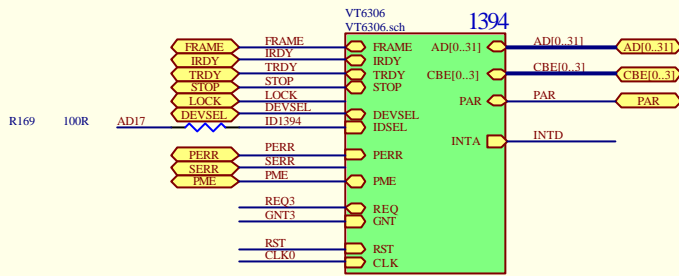
- CE  CE MARK
- FCC  FCC MARK
- LOGO  bplan LOGO
-  FID1 FDUCAL2MM
-  FID2 FDUCAL2MM
-  FID3 FDUCAL2MM
-  FID4 FDUCAL2MM



bplan GmbH
Adenauerallee 10
61440 Oberursel
Germany

Mechanical + Text String

Size A4	FCSM No.	DWG No.	Rev
Scale	Sheet 12 of 32		



CFG	1394	SLOT2	SLOT3	SLOT4	SB
IOSEL AD	17	23	22	21	28

NOTE:
Southbridge has internal connection to AD28

NOTE:
Slot2,4 are violating PCI Riser Spec 1.0 due to REV1 compatibility

INT	1394	SLOT2	SLOT3	SLOT4	SB
PCI INT A	D	B	C	D	A
PCI INT B	-	C	D	A	B
PCI INT C	-	D	A	B	C
PCI INT D	-	A	B	C	D

NOTE:
Southbridge is INT Controller

NOTE:
Slot2,4 are assigned as PCI Riser Spec 1.0

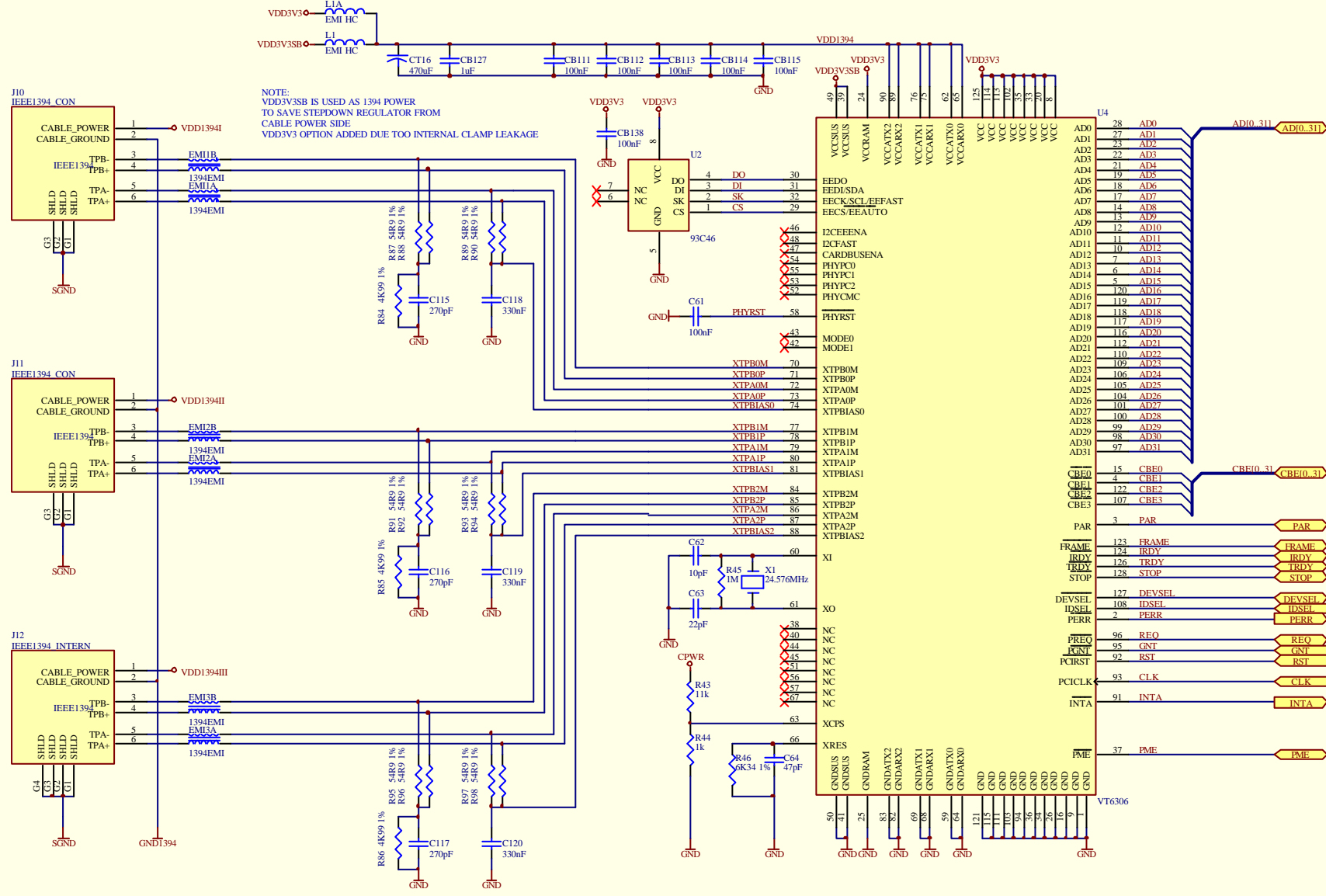
NOTE:
AGP uses A as first Int for none shared operation




bplan GmbH
Adenauerallee 10
61440 Oberursel
Germany

PCI Top Level

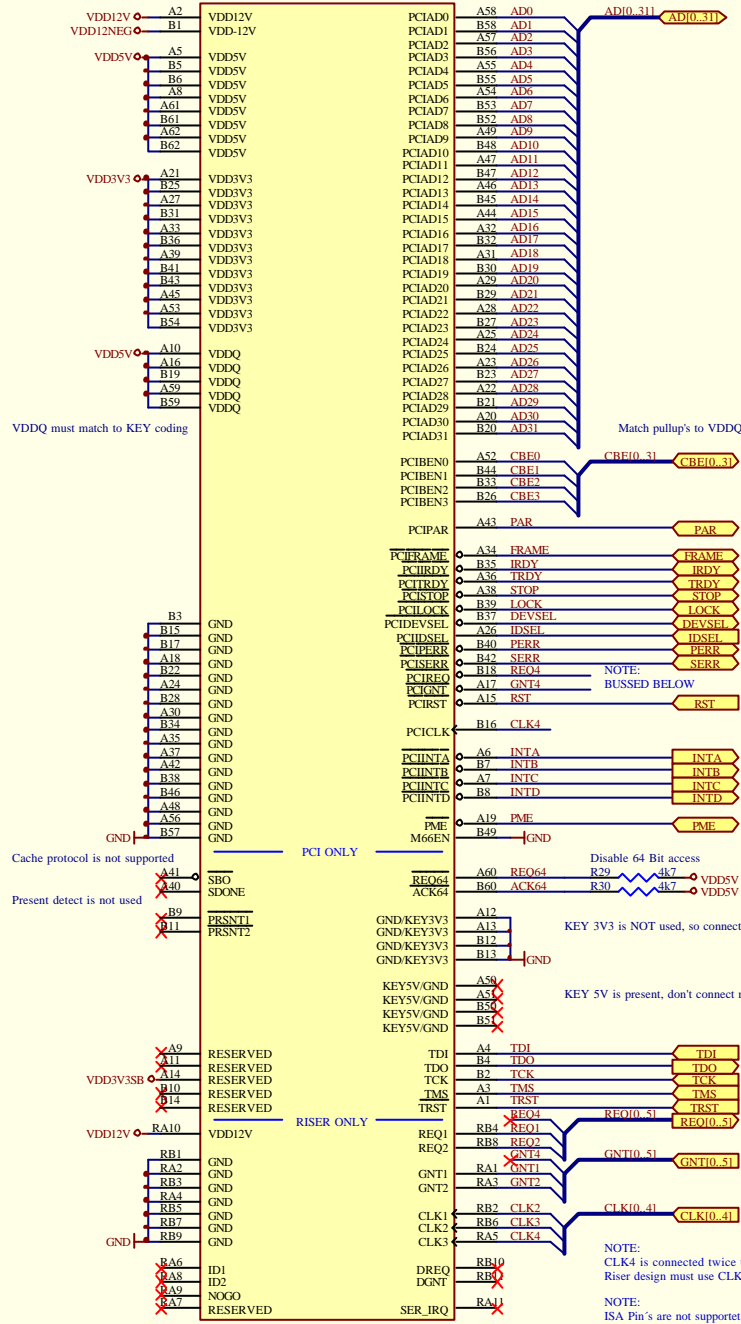
Size A3	FCSM No.	DWG No.	Rev
Scale	Sheet		13 of 32



NOTE:
VDD3V3B IS USED AS 1394 POWER
TO SAVE STEPDOWN REGULATOR FROM
CABLE POWER SIDE
VDD3V3 OPTION ADDED DUE TOO INTERNAL CLAMP LEAKAGE

	bplan GmbH Adenauerallee 10 61440 Oberursel Germany		
	VT6306 IEE1394		
Size A3	FCSM No.	DWG No.	Rev
Scale	Sheet		14 of 32

PCI0
PCI/RISER



bplan GmbH
Adenauerallee 10
61440 Oberursel
Germany

PCI Slot 2

Size
A3

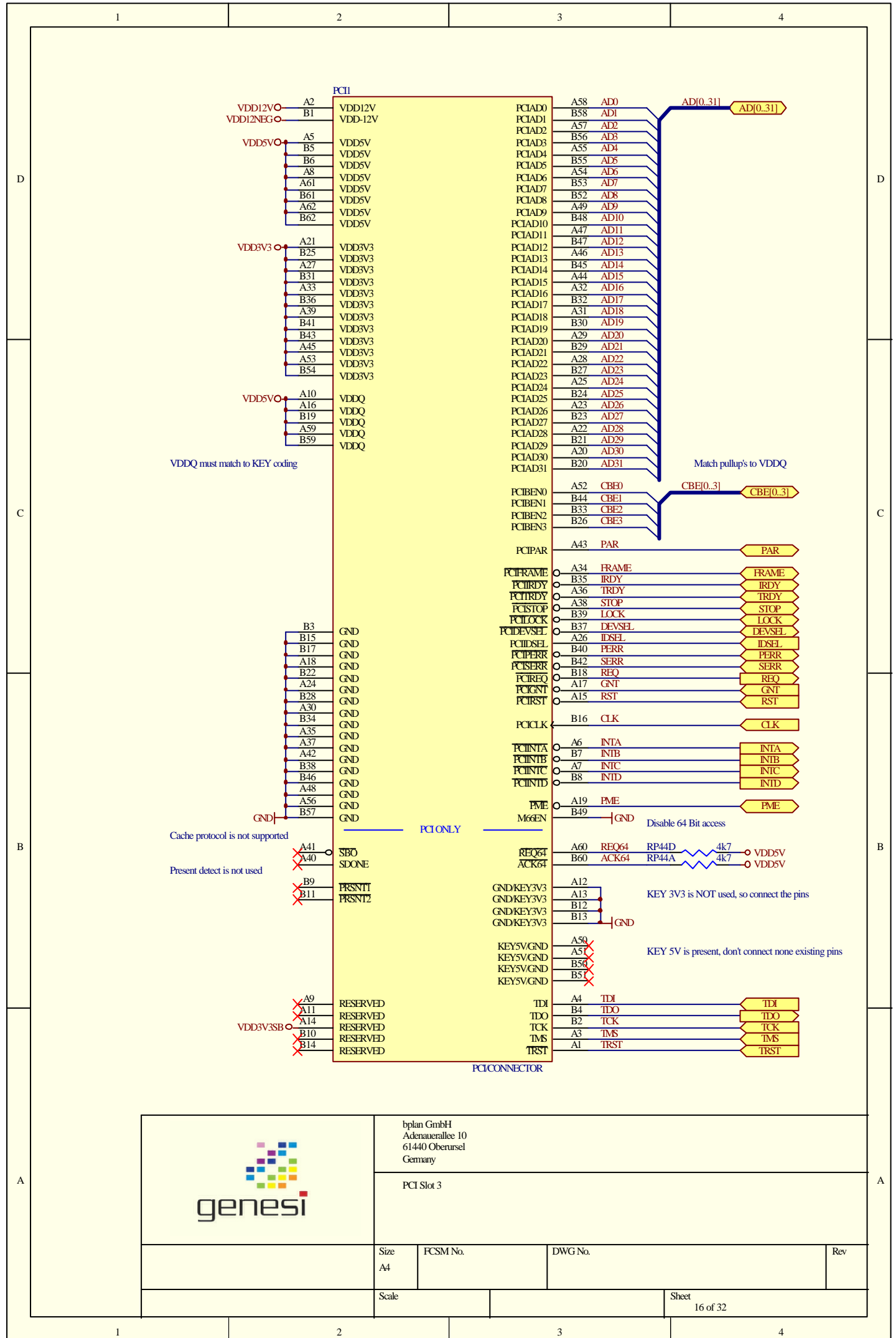
FCSM No.

DWG No.

Rev

Scale

Sheet



bplan GmbH
Adenauerallee 10
61440 Oberursel
Germany

PCI Slot 3

Size

A4

FCSM No.

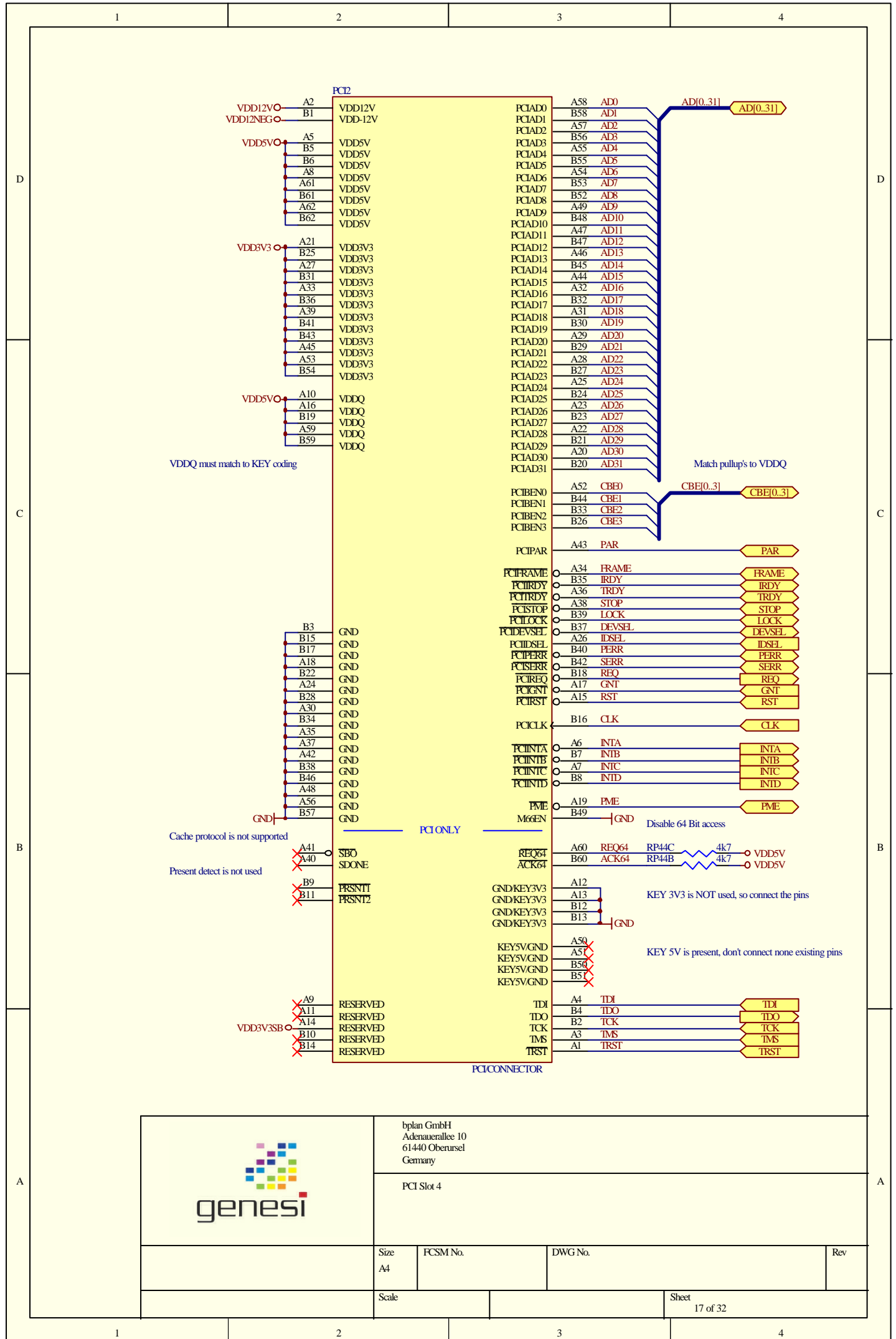
DWG No.

Rev

Scale

Sheet

16 of 32



1

2

3

4

D

D

C

C

B

B

A

A



bplan GmbH
Adenauerallee 10
61440 Oberursel
Germany

PCI Slot 4

Size

A4

FCSM No.

DWG No.

Rev

Scale

Sheet

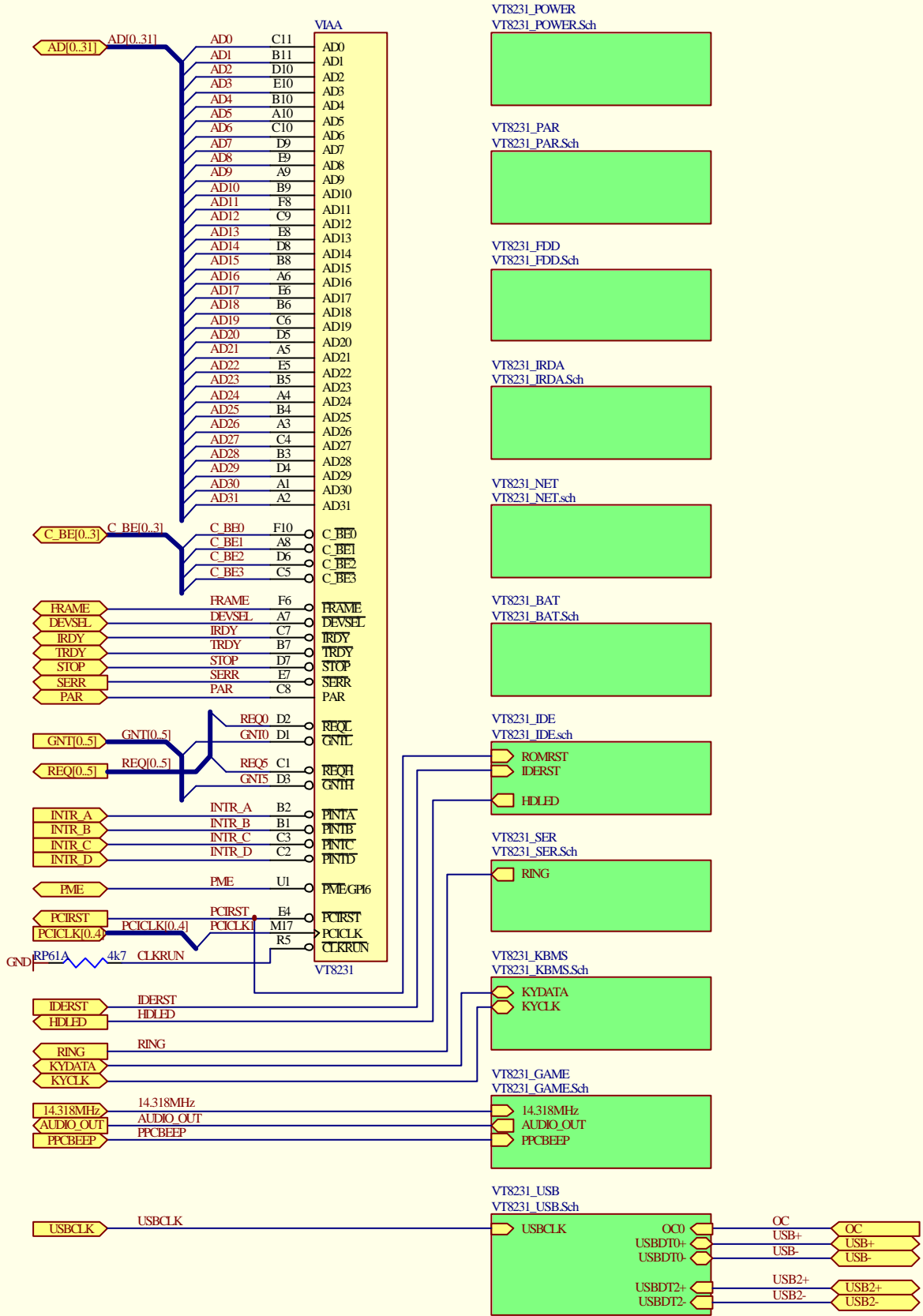
17 of 32

1

2

3

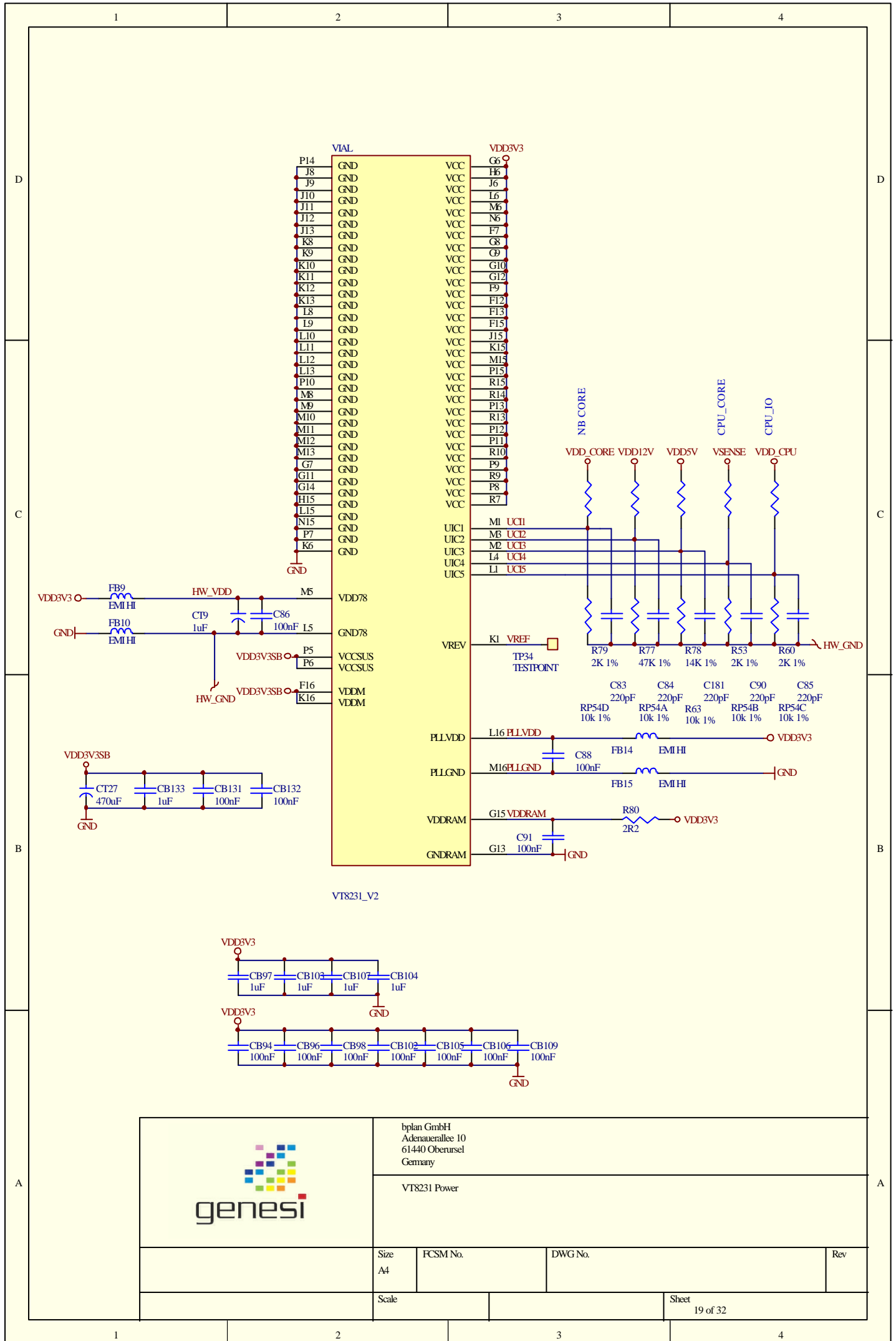
4



bplan GmbH
Adenauerallee 10
61440 Oberursel
Germany

VIA VT8231 Southbridge

Size	A4	FCSM No.		DWG No.		Rev	1A
Scale						Sheet	18 of 32

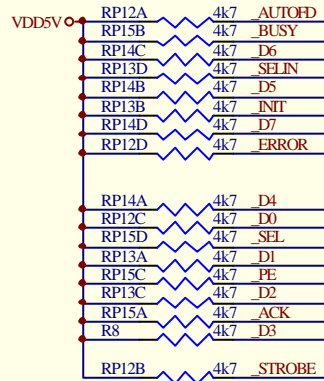
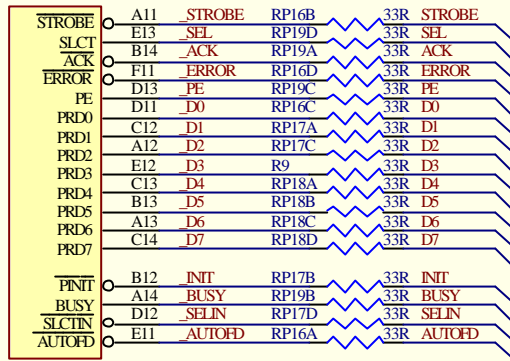


bplan GmbH
Adenauerallee 10
61440 Oberursel
Germany

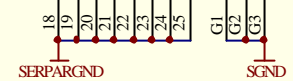
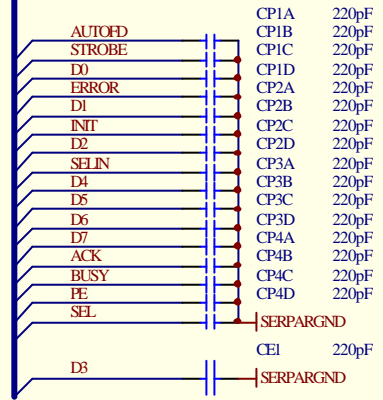
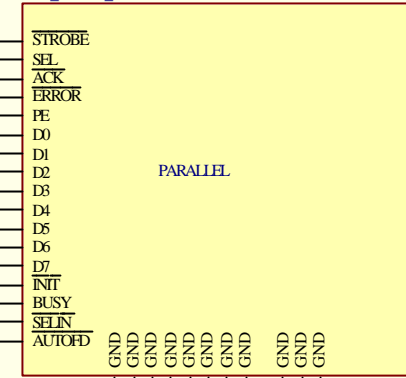
VT8231 Power

Size A4	FCSM No.	DWG No.	Rev
Scale	Sheet 19 of 32		

VIAB
VT8231



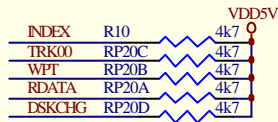
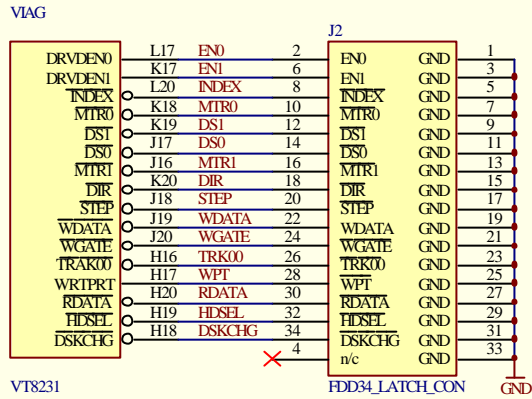
J1
PAR_STACK_CON



bplan GmbH
Adenauerallee 10
61440 Oberursel
Germany

Parallel Port

Size A4	FCSM No.	DWG No.	Rev
Scale			Sheet 20 of 32



bplan GmbH
Adenauerallee 10
61440 Oberursel
Germany

FDD

Size
A4

FCSM No.

DWG No.

Rev

Scale

Sheet

21 of 32

1

2

3

4

D

D

C

C

B

B

A

A

NOTE
MOVED TO FRONTPANEL SHEET



bplan GmbH
Adenauerallee 10
61440 Oberursel
Germany

VT8231 IRDA

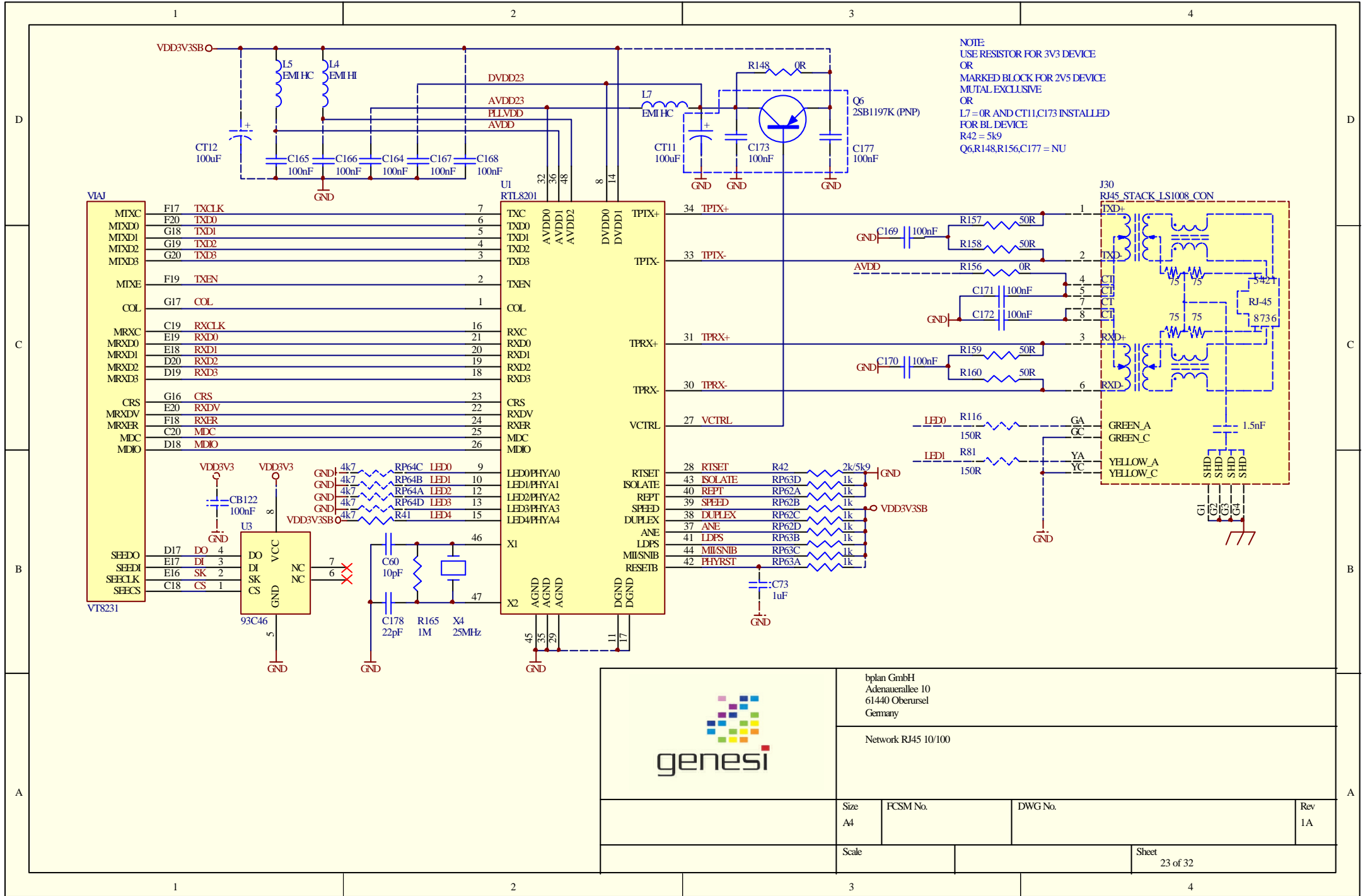
	Size A4	FCSM No.	DWG No.	Rev
	Scale		Sheet 22 of 32	

1

2

3

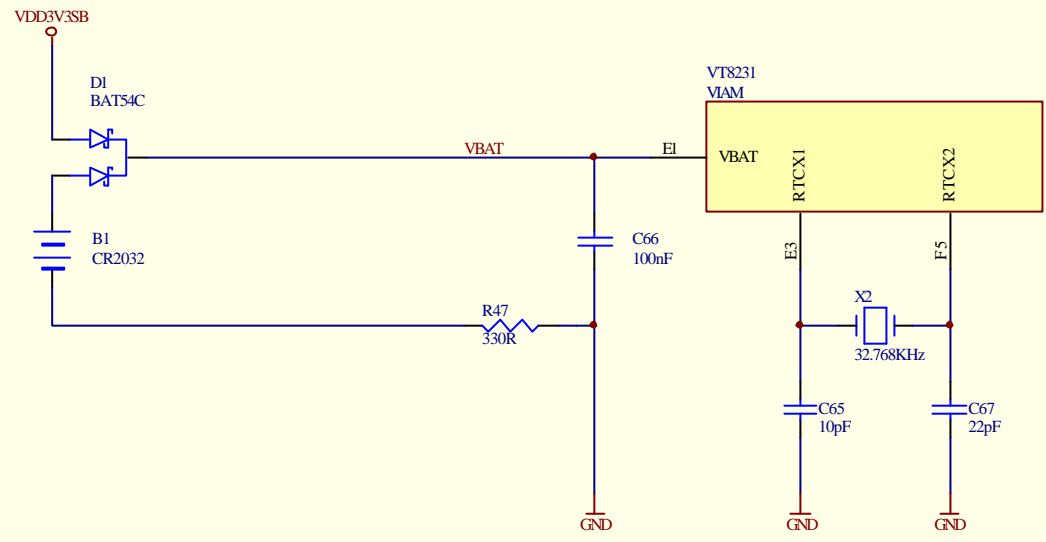
4



bplan GmbH
 Adenauerallee 10
 61440 Oberursel
 Germany

Network RJ45 10/100

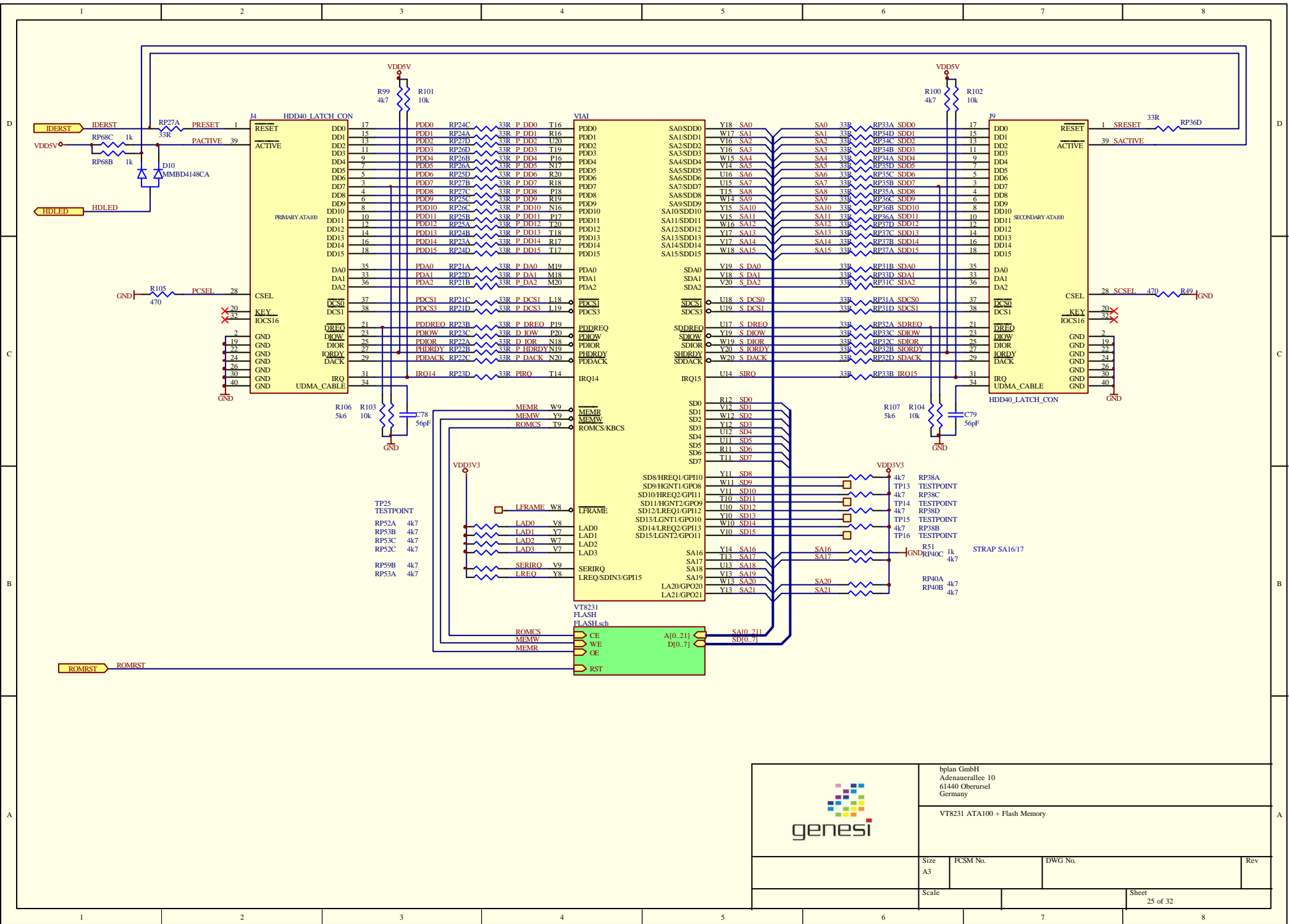
Size A4	FCSM No.	DWG No.	Rev 1A
Scale		Sheet 23 of 32	



bplan GmbH
 Adenauerallee 10
 61440 Oberursel
 Germany

VT8231 Batterie

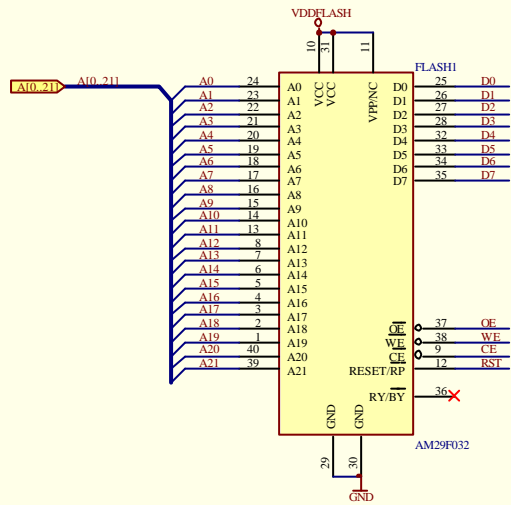
Size A4	FCSM No.	DWG No.	Rev
Scale	Sheet 24 of 32		



bplan GmbH
Adenauerallee 10
61440 Oberursel
Germany

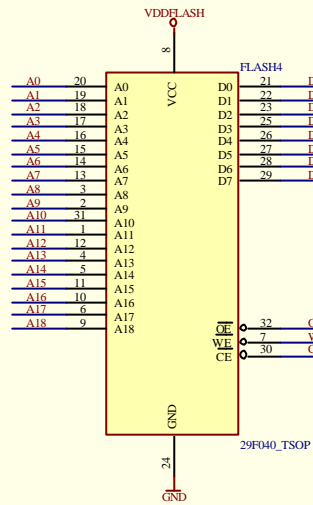
VT8231 ATA100 + Flash Memory

Size	FCSM No.	DWG No.	Rev
A3			
Scale	Sheet		25 of 32



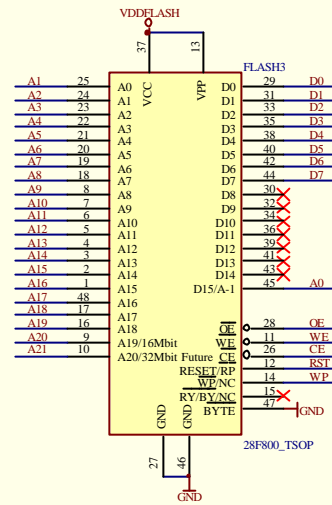
TSOP40

- INTEL 28F004S5 (VPP 11)512Kx8
- AMD 29F080B 1MBx8
- INTEL 28F008S5 (VPP 11)1MBx8
- ATMEL AT49F080 1MBx8
- AMD 29F016D 2MBx8
- INTEL 28F016S5 (VPP 11)2MBx8
- SHARP 28F016 2MBx8
- AMD 29F032B 4MBx8
- Fujitsu MBM29F033C 4MBx8



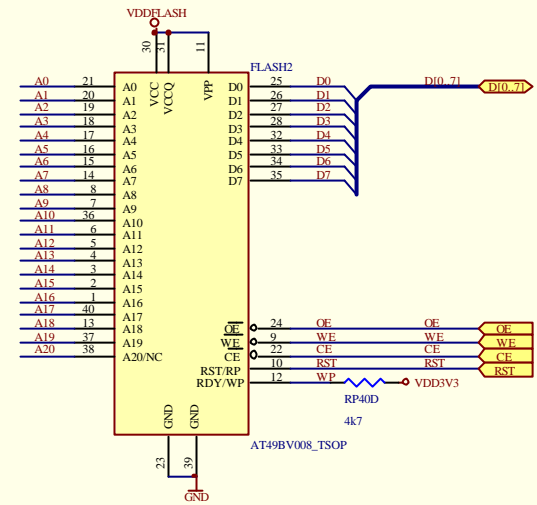
TSOP32

- AMD 29F010 128Kx8
- AMD 29F020 256Kx8
- AMD 29F040 512Kx8



TSOP48

- INTEL 28F200B5 256Kx8
- INTEL 28F004/400B5 512Kx8
- ATMEL AT49BV8192A 1MBx8
- INTEL 28F800B5 1MBx8
- MICRON MT28F800B5WG 1MBx8
- ATMEL AT49BV/LV1614 2MBx8
- ATMEL AT49BV/LV161 2MBx8
- AMD 29F160D 2MBx8



TSOP40

- INTEL 28F004B5 4M only 512Kx8
- MICRON MT28F008B5VG-8 1MBx8
- ATMEL AT49BV008A 1MBx8



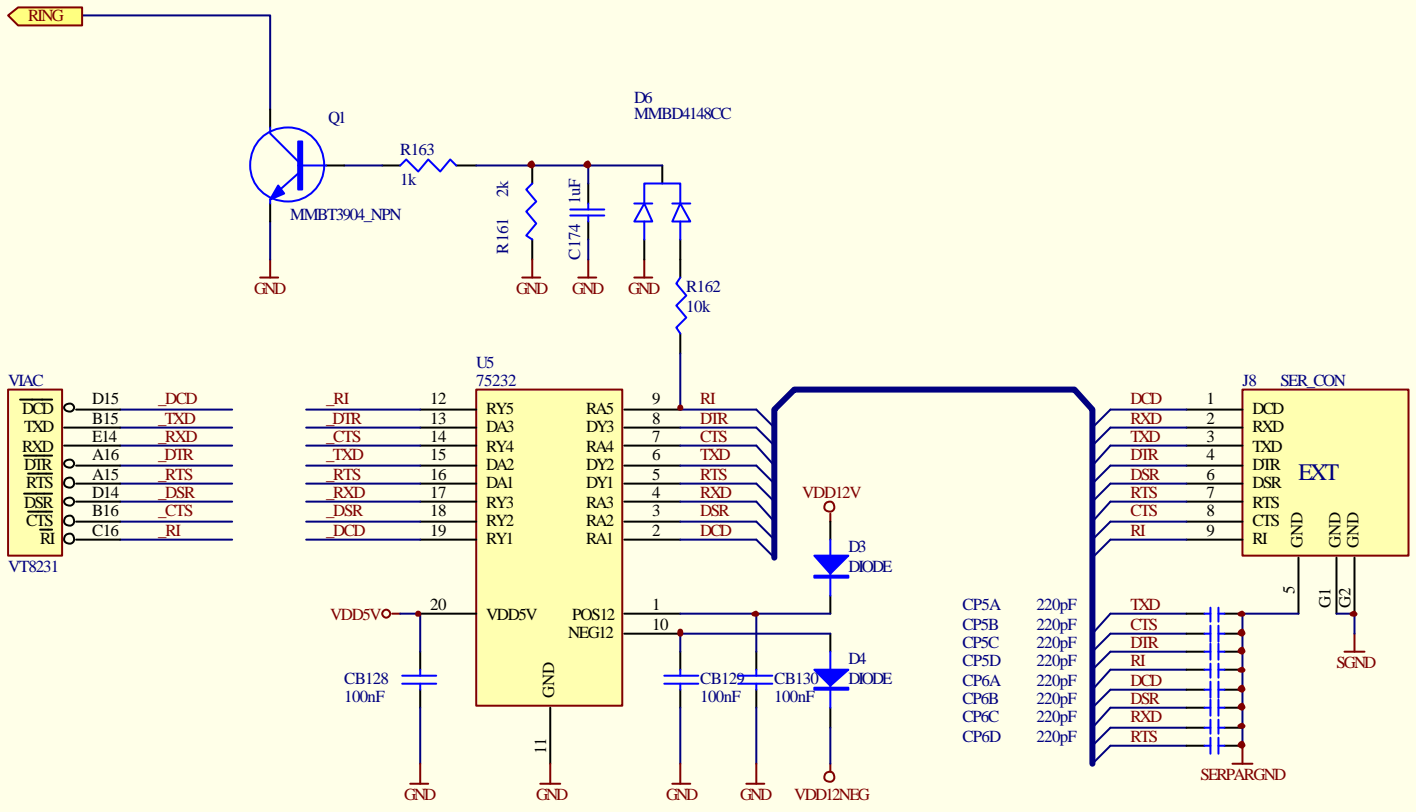
SMD JUMPER OPTION
USE OR TO SELECT



bplan GmbH
Adenauerallee 10
61440 Oberursel
Germany

Flash Memory Options

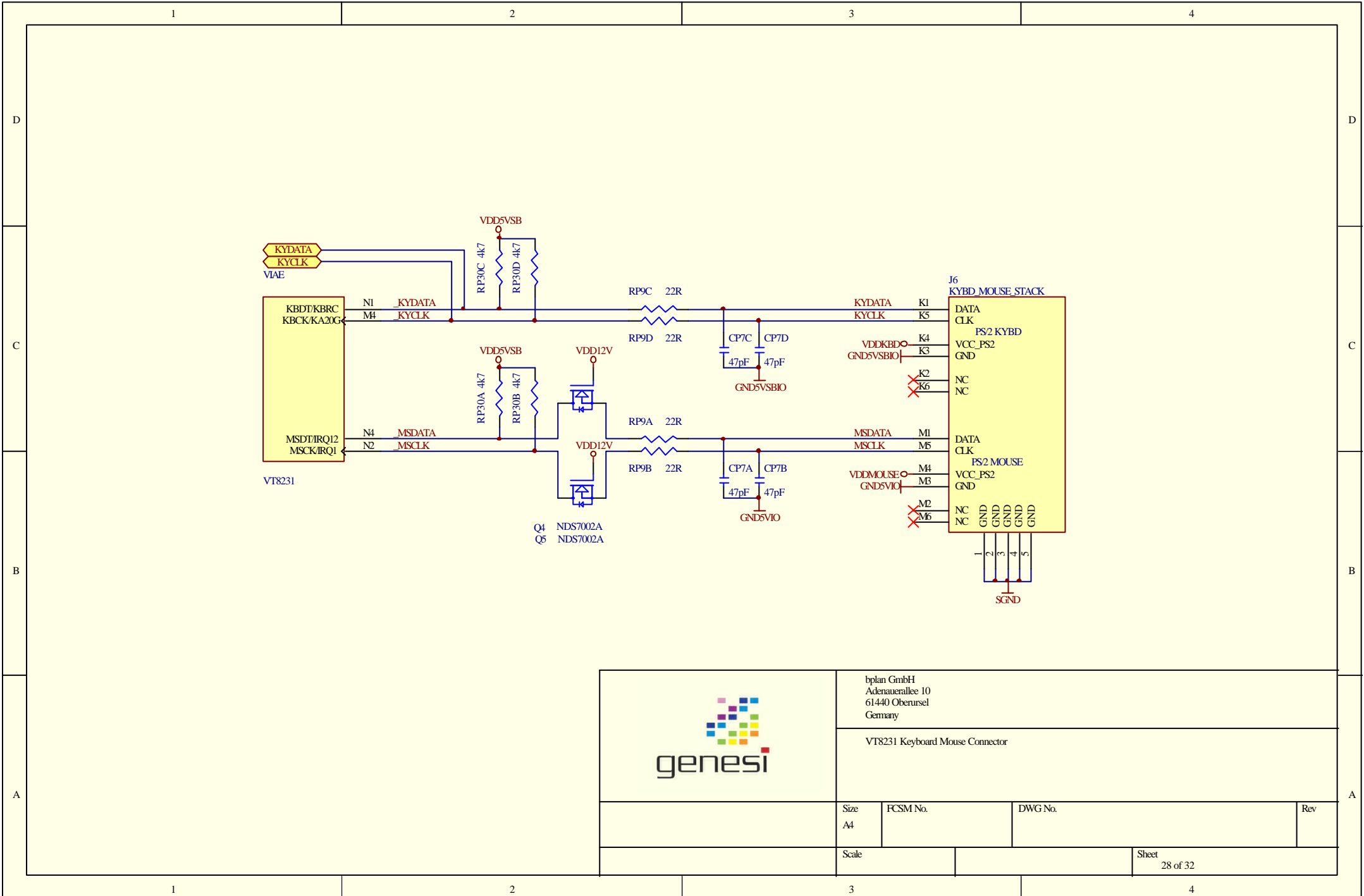
Size	FCSM No.	DWG No.	Rev
A3			
Scale	Sheet		26 of 32



bplan GmbH
Adenauerallee 10
61440 Oberursel
Germany

Seriell Port

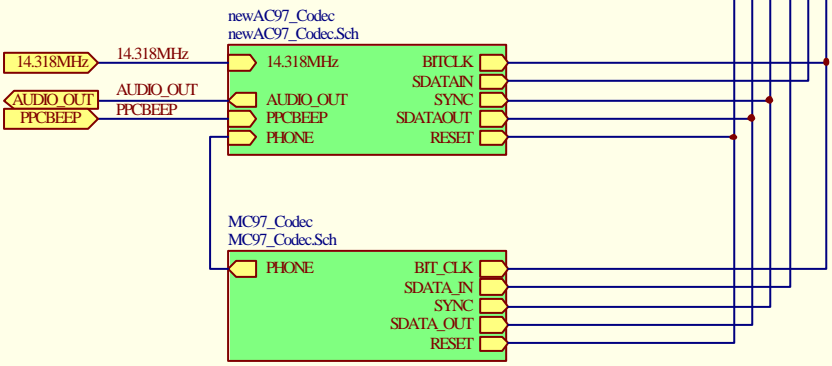
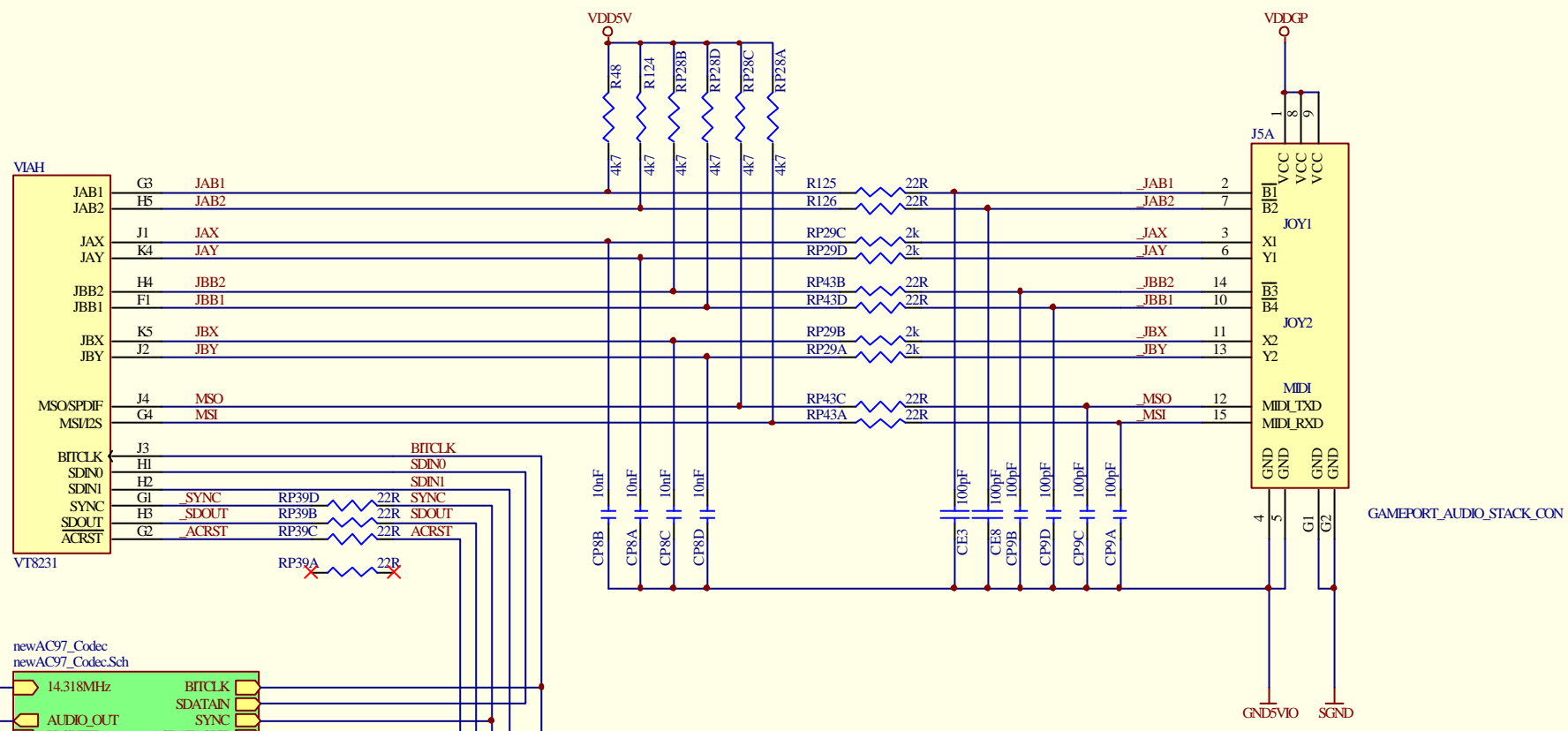
Size A4	FCSM No.	DWG No.	Rev
Scale	Sheet 27 of 32		




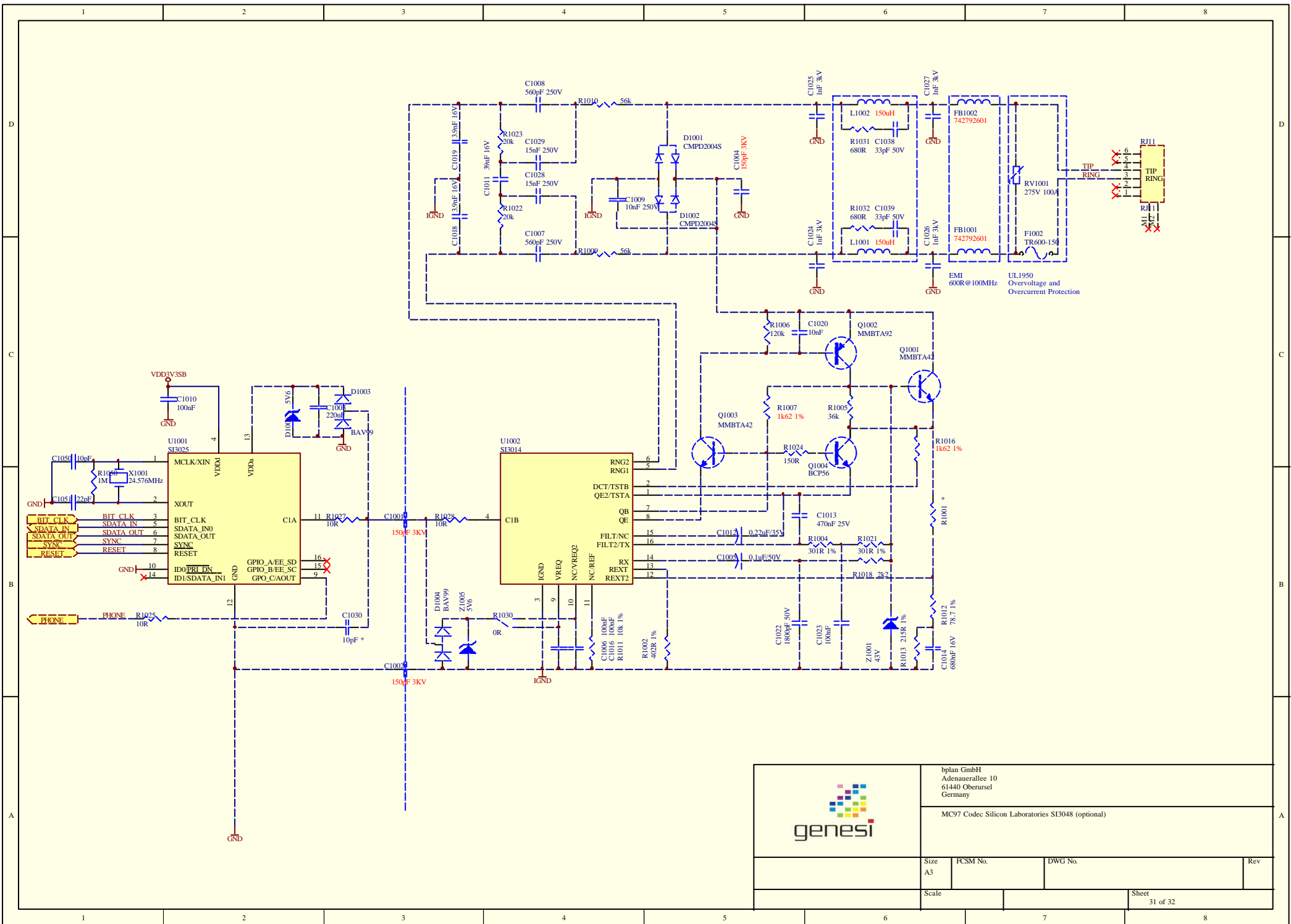
bplan GmbH
 Adenauerallee 10
 61440 Oberursel
 Germany

VT8231 Keyboard Mouse Connector

Size A4	FCSM No.	DWG No.	Rev
Scale	Sheet 28 of 32		



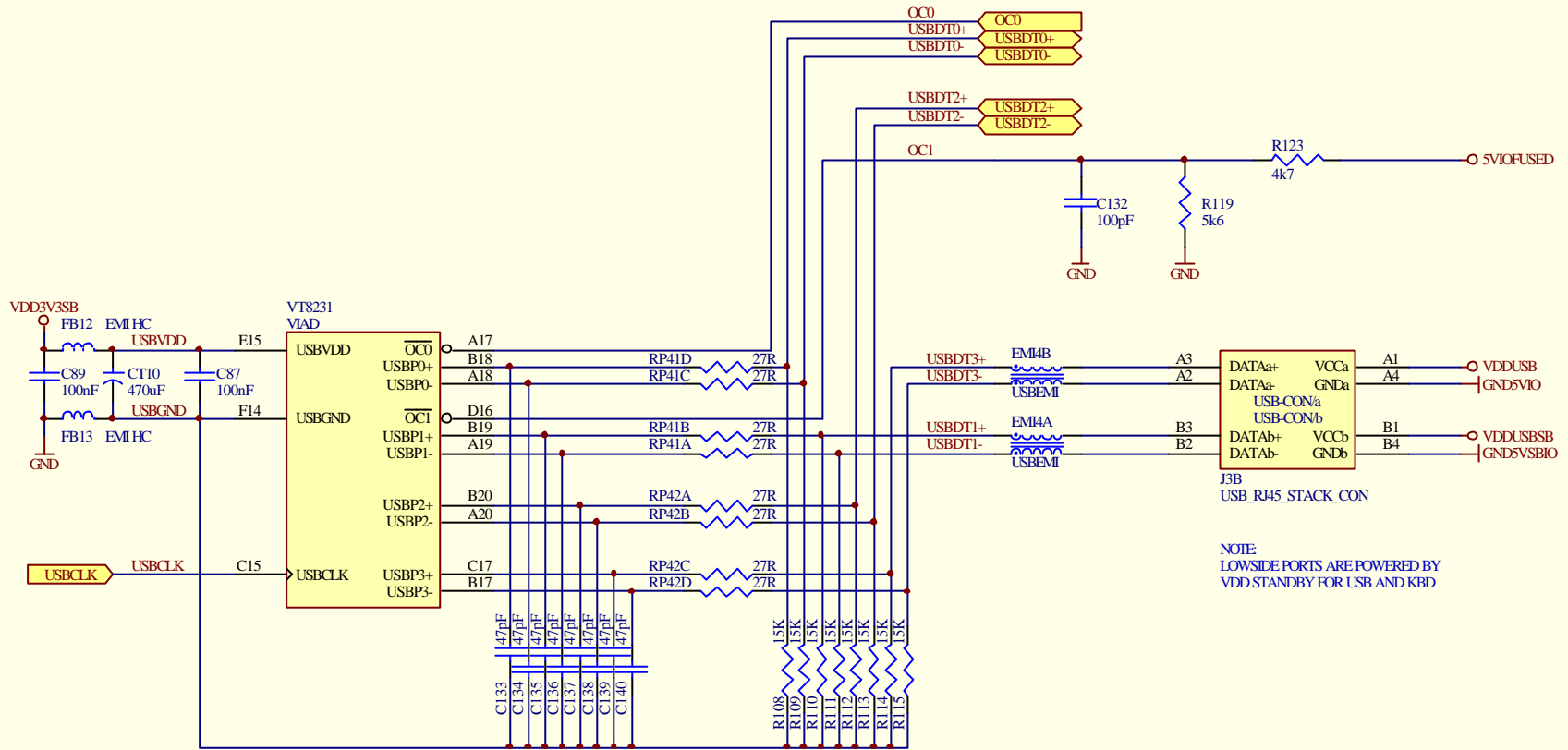
	bplan GmbH Adenauerallee 10 61440 Oberursel Germany		
	VT8231 Gameport		
Size A4	FCSM No.	DWG No.	Rev
Scale			Sheet 29 of 32



bplan GmbH
Adenauerallee 10
61440 Oberursel
Germany

MC97 Codec Silicon Laboratories SI3048 (optional)

Size A3	FCSM No.	DWG No.	Rev
Scale	Sheet		31 of 32



bplan GmbH
 Adenauerallee 10
 61440 Oberursel
 Germany

USB

Size A4	FCSM No.	DWG No.	Rev
Scale	Sheet 32 of 32		